

FYH

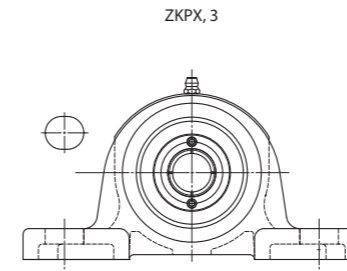
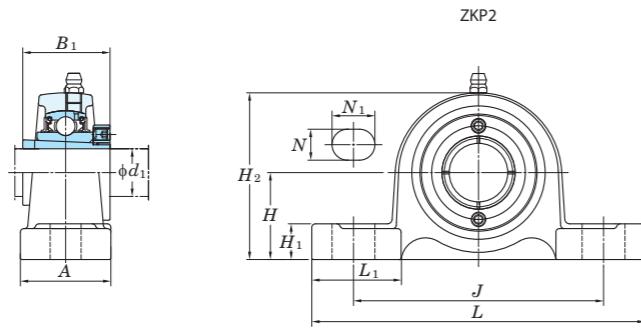
castalia suministros
industriales

Z LOCK[®] SLEEVE **ZK Series**



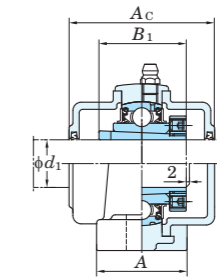
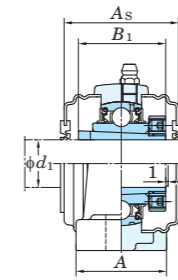
Pillow Block Units

ZKP
Tapered bore (with adapter)
d₁ 20 ~ 40 mm



With Pressed Steel Cover

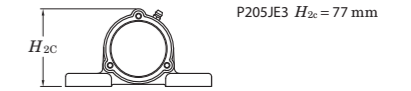
With Cast Iron Cover



Variations of tolerance of distance from mounting bottom to center of spherical bore (ΔH_B)

Housing No.			Unit: mm
P205~P210	PX05~PX10	P305~P310	±0.15
P211~P212	PX11~PX12	P311~P312	±0.2

Forms and dimensions of H_{2C} of P205JE3 (housing with cast iron cover) are shown below.



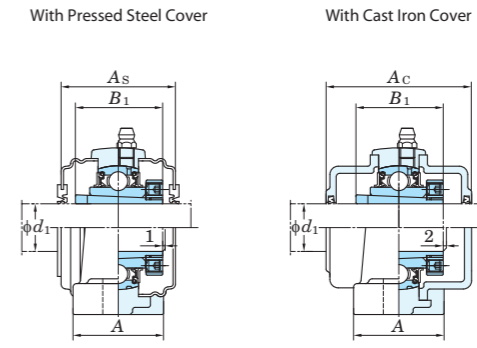
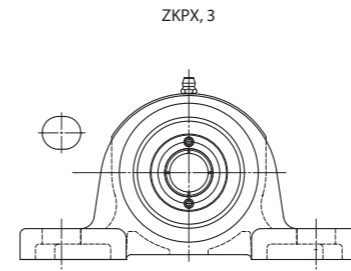
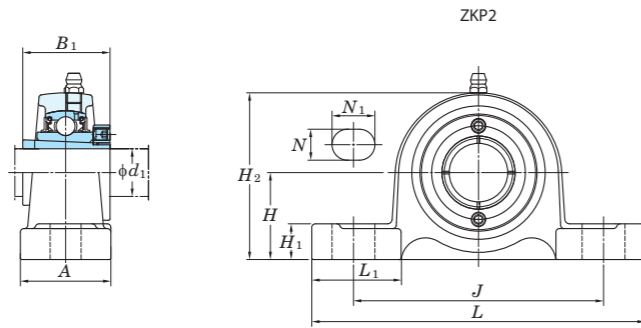
Shaft Dia. mm inch	Dimensions											Bolt Size inch mm	Standard			Mass kg	Basic Load Ratings kN		Factor f ₀	With Pressed Steel Cover				With Cast Iron Cover				
	inch mm												Unit No.	Housing No.	Bearing No.		C _r	C _{0r}		Unit No.	Dimension mm inch	Mass kg	Unit No.	Dimension mm inch	Mass kg			
d ₁	H	L	A	J	N	N ₁	H ₁	H ₂	L ₁	B ₁								Open Type	One Side Closed Type	As		Open Type	One Side Closed Type	Ac				
20	3/4	1 7/16	5 1/2	1 1/2	4 1/8	1/2	23/32	5/8	2 3/4	1 1/2	1 15/32	3/8	ZKP205-12 ZKP205	P205	ZK205-12 ZK205	0.84	14.0	7.85	13.9	-	-	-	-	-	-	-		
	3/4	1 3/4	6 1/4	2	4 11/16	21/32	31/32	5/8	3 3/8	1 27/32	1 15/32	1/2	ZKPX05-12 ZKPX05	PX05	ZKX05-12 ZKX05	1.5	19.5	11.3	13.9	-	-	-	-	-	-	-		
	3/4	1 49/64	6 7/8	1 3/4	5 3/16	21/32	25/32	5/8	3 11/32	2 5/32	1 15/32	1/2	ZKP305-12 ZKP305	P305	ZK305-12 ZK305	1.7	21.2	10.9	12.6	-	-	-	-	-	-	-		
25	7/8	1 11/16	6 1/2	1 7/8	4 3/4	21/32	13/16	21/32	3 5/16	1 7/8	1 9/16	1/2	ZKP206-14 ZKP206-15 ZKP206	P206	ZK206-14 ZK206-15 ZK206	1.4	19.5	11.3	13.9	-	-	-	-	-	-	-	-	
	1	1 7/8	6 7/8	2 1/4	5	21/32	31/32	21/32	3 21/32	2 5/32	1 9/16	1/2	ZKPX06-14 ZKPX06-15 ZKPX06	PX06	ZKX06-14 ZKX06-15 ZKX06	2.1	25.7	15.4	13.9	-	-	-	-	-	-	-	-	
	1	1 31/32	7 3/32	1 31/32	5 1/2	21/32	25/32	21/32	3 3/4	2 3/32	1 9/16	1/2	ZKP306-14 ZKP306-15 ZKP306	P306	ZK306-14 ZK306-15 ZK306	2.3	26.7	15.0	13.3	-	-	-	-	-	-	-	-	
30	1 1/8	1 7/8	6 9/16	1 7/8	5	21/32	13/16	23/32	3 3/4	1 27/32	1 47/64	1/2	ZKP207-18 ZKP207	P207	ZK207-18 ZK207	1.7	25.7	15.4	13.9	-	-	-	-	-	-	-	-	
	1 3/16	2 1/8	8	2 1/4	5 21/31	21/32	1 3/16	3/4	4 1/8	2 17/32	1 47/64	1/2	ZKPX07-18 ZKPX07	PX07	ZKX07-18 ZKX07	2.7	29.1	17.8	14.0	-	-	-	-	-	-	-	-	
	1 3/16	2 13/64	8 9/32	2 7/32	6 5/16	21/32	31/32	3/4	4 7/32	2 9/16	1 47/64	1/2	ZKP307-18 ZKP307	P307	ZK307-18 ZK307	3.0	33.4	19.3	13.2	-	-	-	-	-	-	-	-	
35	1 1/4	1 15/16	7 1/4	2 1/8	5 13/32	21/32	13/16	23/32	3 27/32	2 3/32	1 55/64	1/2	ZKP208-20 ZKP208-22 ZKP208	P208	ZK208-20 ZK208-22 ZK208	2.0	29.1	17.8	14.0	-	-	-	-	-	-	-	-	-
	1 3/8	2 5/16	8 3/4	2 5/8	6 5/32	25/32	1 1/4	13/16	4 1/2	2 25/32	1 55/64	5/8	ZKPX08-20 ZKPX08-22 ZKPX08	PX08	ZKX08-20 ZKX08-22 ZKX08	3.5	34.1	21.3	14.0	-	-	-	-	-	-	-	-	
	1 3/8	2 23/64	8 21/32	2 3/8	6 11/16	21/32	1 1/16	3/4	4 21/32	2 9/16	1 55/64	1/2	ZKP308-20 ZKP308-22 ZKP308	P308	ZK308-20 ZK308-22 ZK308	3.8	40.7	24.0	13.2	-	-	-	-	-	-	-	-	
40	1 7/16	2 1/8	7 15/32	2 1/8	5 3/4	21/32	13/16	25/32	4 3/16	2 5/32	1 15/16	1/2	ZKP209-23 ZKP209-24 ZKP209	P209	ZK209-23 ZK209-24 ZK209	2.3	34.1	21.3	14.0	-	-	-	-	-	-	-	-	
	1 1/2	2 5/16	8 3/4	2 5/8	6 5/32	25/32	1 5/16	13/16	4 9/16	2 25/32	1 15/16	5/8	ZKPX09-23 ZKPX09-24 ZKPX09	PX09	ZKX09-23 ZKX09-24 ZKX09	3.7	35.1	23.3	14.4	-	-	-	-	-	-	-	-	
	1 1/2	2 41/64	9 21/32	2 5/8	7 15/32	25/32	1 3/16	13/16	5 3/16	2 15/16	1 15/16	5/8	ZKP309-23 ZKP309-24 ZKP309	P309	ZK309-23 ZK309-24 ZK309	5.0	48.9	29.5	13.3	-	-	-	-	-	-	-	-	

- Remarks
- In Part No. of unit and units with covers, fitting codes follow bore diameter numbers.
 - Part No. of applicable grease fittings are shown below.
A-1/4-28UNF.....205~210, X05~X09, 305~308
A-R1/8.....211~212, X10~X12, 309~312
 - In Part No. of bearing with adapters, turn UK in the Part No. shown in the dimensional tables to ZK. (Example of Part No. : ZK206)

- As for the triple seal type seal type product (205 is the double seal type product), suffix code L3 (or L2) follows the Part No. of unit or bearing. (Example of Part No. : ZKP206JL3)
- For the dimensions and forms of applicable bearings and adapters, see the dimensional tables of ball bearing for unit and adapter.
- Representative examples of the forms of housing are indicated.
- Housings of nodular graphite cast iron are also available.

Pillow Block Units

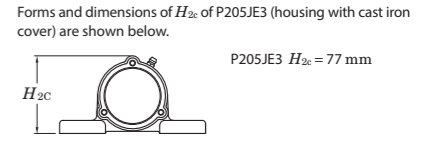
ZKP
Tapered bore (with adapter)
d₁ 45 ~ 55 mm



Variations of tolerance of distance from mounting bottom to center of spherical bore (ΔH_b)

Housing No.	ΔH_b
P205~P210	± 0.15
P211~P212	± 0.2

Unit: mm

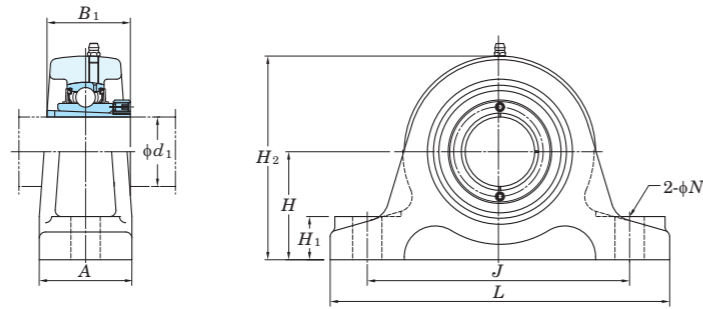
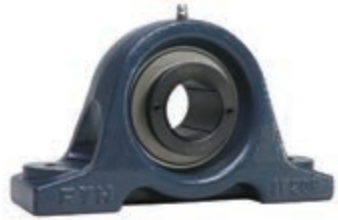


Shaft Dia. mm inch	Dimensions inch mm										Bolt Size inch mm	Standard			Mass kg	Basic Load Ratings kN		Factor f_0	With Pressed Steel Cover				With Cast Iron Cover									
	d_1	H	L	A	J	N	N_1	H_1	H_2	L_1		B_1	Unit No.	Housing No.		Bearing No.	kg		C_r	C_{0r}	Unit No.	Dimension mm inch	Mass kg	Unit No.	Dimension mm inch	Mass kg						
45 1 5/8 1 11/16 1 3/4	1 5/8	2 1/4	8 1/8	2 3/8	6 1/4	25/32	7/8	13/16	4 7/16	2 3/8	2 1/8	5/8	ZKP210-26 ZKP210-27 ZKP210-28 ZKP210	P210	ZK210-26 ZK210-27 ZK210-28 ZK210	3.0	35.1	23.3	14.4	-	-	-	-	-	-	-	-	-	-	-	-	-
	1 11/16	2 1/2	9 1/2	2 7/8	6 23/32	25/32	1 13/32	7/8	4 31/32	3	2 1/8	5/8	ZKPX10-26 ZKPX10-27 ZKPX10-28 ZKPX10	PX10	ZKX10-26 ZKX10-27 ZKX10-28 ZKX10	4.6	43.4	29.4	14.4	-	-	-	-	-	-	-	-	-	-	-	-	-
	1 3/4	2 61/64	10 13/16	2 15/16	8 11/32	25/32	1 3/8	15/16	5 13/16	3 15/32	2 1/8	5/8	ZKP310-26 ZKP310-27 ZKP310-28 ZKP310	P310	ZK310-26 ZK310-27 ZK310-28 ZK310	6.7	62.0	38.3	13.2	-	-	-	-	-	-	-	-	-	-	-	-	-
	1 5/8	2 1/2	8 5/8	2 3/8	6 23/32	25/32	7/8	29/32	4 29/32	2 9/16	2 13/32	5/8	ZKP211-30 ZKP211-31 ZKP211 ZKP211-32	P211	ZK211-30 ZK211-31 ZK211 ZK211-32	3.7	43.4	29.4	14.4	ZKP211C	ZKP211CD	76.0	3	3.7	ZKP211FC	ZKP211FCD	99.0	3 29/32	5.0			
	1 11/16	2 3/4	10 1/4	3 1/8	7 1/4	31/32	1 13/32	1 3/32	5 15/32	3 9/32	2 13/32	3/4	ZKPX11-30 ZKPX11-31 ZKPX11 ZKPX11-32	PX11	ZKX11-30 ZKX11-31 ZKX11 ZKX11-32	6.2	52.4	36.2	14.4	ZKPX11C	ZKPX11CD	89.0	3 1/2	6.2	-	-	-	-	-	-	-	
	1 3/4	3 5/32	12 7/32	3 5/32	9 9/32	25/32	1 1/2	1 1/16	6 7/32	3 17/32	2 13/32	5/8	ZKP311-30 ZKP311-31 ZKP311 ZKP311-32	P311	ZK311-30 ZK311-31 ZK311 ZK311-32	8.1	71.6	45.0	13.2	-	-	-	-	-	ZKP311C	ZKP311CD	114.0	4 1/2	10.0			
	2	2 3/4	9 1/2	2 3/4	7 1/4	25/32	31/32	31/32	5 7/16	2 7/8	2 39/64	5/8	ZKP212-34 ZKP212	P212	ZK212-34 ZK212	4.8	52.4	36.2	14.4	ZKP212C	ZKP212CD	89	3 1/2	4.8	ZKP212FC	ZKP212FCD	114	4 1/2	6.3			
	2 1/8	3	11 1/4	3 1/4	8	31/32	1 9/16	1 3/32	5 31/32	3 15/32	2 39/64	3/4	ZKPX12-34 ZKPX12	PX12	ZKX12-34 ZKX12	7.5	57.2	40.1	14.4	ZKPX12C	ZKPX12CD	89	3 1/2	7.5	-	-	-	-	-	-		
	2 1/8	3 11/32	13	3 11/32	9 27/32	31/32	1 1/2	1 5/32	6 9/16	4 1/16	2 39/64	3/4	ZKP312-34 ZKP312	P312	ZK312-34 ZK312	9.4	81.9	52.2	13.2	-	-	-	-	-	ZKP312C	ZKP312CD	124	4 7/8	11.8			

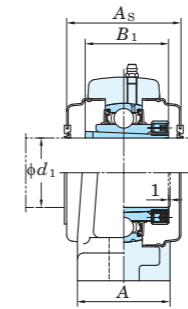
Remarks 1. In Part No. of unit and units with covers, fitting codes follow bore diameter numbers.
 2. Part No. of applicable grease fittings are shown below.
 A-1/4-28UNF.....205~210, X05~X09, 305~308
 A-R1/8.....211~212, X10~X12, 309~312
 3. In Part No. of bearing with adapters, turn UK in the Part No. shown in the dimensional tables to ZK.
 (Example of Part No.: ZK206)

4. As for the triple seal type seal type product (205 is the double seal type product), suffix code L3 (or L2) follows the Part No. of unit or bearing.
 (Example of Part No.: ZKP206JL3)
 5. For the dimensions and forms of applicable bearings and adapters, see the dimensional tables of ball bearing for unit and adapter.
 6. Representative examples of the forms of housing are indicated.
 7. Housings of nodular graphite cast iron are also available.

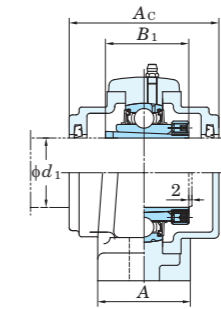
ZKIP
Tapered bore (with adapter)
 d_1 35 ~ 55 mm



With Pressed Steel Cover



With Cast Iron Cover



Variations of tolerance of distance from mounting bottom to center of spherical bore (ΔH_b) and variations of distance between centers of bolt holes (ΔJ_b) and Variations of tolerance of bolt hole diameter (ΔN_b)

Housing No.	ΔH_b	ΔJ_b	ΔN_b
IP208~IP210	± 0.15	± 0.5	± 0.2
IP211~IP212	± 0.2	± 0.7	

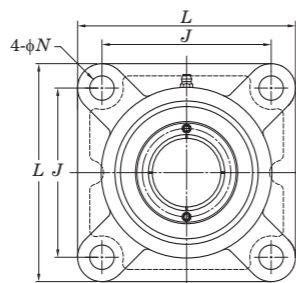
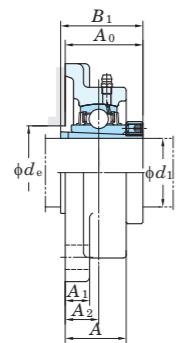
Unit: mm

Shaft Dia. mm inch d_1	Dimensions inch mm									Bolt Size inch mm	Standard			Mass kg	Basic Load Ratings kN		Factor f_0	With Pressed Steel Cover				With Cast Iron Cover			
	H	L	A	J	N	H ₁	H ₂	B ₁	Unit No.		Housing No.	Bearing No.	Open Type		One Side Closed Type	Dimension mm inch A _s		Mass kg	Open Type	One Side Closed Type	Dimension mm inch A _c	Mass kg			
35 1 1/4 1 3/8	2 23/64	7 7/8	2 3/8	5 29/32	3/4	31/32	4 17/32	1 55/64	5/8	ZKIP208-20 ZKIP208-22 ZKIP208	IP208	ZK208-20 ZK208-22 ZK208	3.5	29.1	17.8	14.0	—	—	—	—	—	—	—	—	
	60	200	60	150	19	25	115	47	M16								ZKIP208C	ZKIP208CD	69	2 23/32	3.5	ZKIP208FC	ZKIP208FCD	86	3 3/8
40 1 7/16 1 1/2	2 3/4	8 9/32	2 3/8	6 19/64	3/4	31/32	5 1/32	1 15/16	5/8	ZKIP209-23 ZKIP209-24 ZKIP209	IP209	ZK209-23 ZK209-24 ZK209	4.0	34.1	21.3	14.0	—	—	—	—	—	—	—	—	
	70	210	60	160	19	25	128	49	M16								ZKIP209C	ZKIP209CD	69	2 23/32	4.0	ZKIP209FC	ZKIP209FCD	88	3 15/32
45 1 5/8 1 11/16 1 3/4	2 3/4	8 21/32	2 3/8	6 11/16	3/4	1 3/32	5 3/16	2 1/8	5/8	ZKIP210-26 ZKIP210-27 ZKIP210-28 ZKIP210	IP210	ZK210-26 ZK210-27 ZK210-28 ZK210	4.8	35.1	23.3	14.4	—	—	—	—	—	—	—	—	
	70	220	60	170	19	28	132	54	M16								ZKIP210C	ZKIP210CD	74	2 29/32	4.8	ZKIP210FC	ZKIP210FCD	97	3 13/16
50 1 7/8 1 15/16 2	3 5/32	9 1/16	2 3/8	7 3/32	3/4	1 3/32	5 13/16	2 13/32	5/8	ZKIP211-30 ZKIP211-31 ZKIP211 ZKIP211-32	IP211	ZK211-30 ZK211-31 ZK211 ZK211-32	5.3	43.4	29.4	14.4	—	—	—	—	—	—	—	—	
	80	230	60	180	19	28	148	61	M16								ZKIP211C	ZKIP211CD	76	3	5.3	ZKIP211FC	ZKIP211FCD	99	3 29/32
55 2 1/8	3 3/32	10 1/4	2 3/4	7 7/8	7/8	1 3/16	6 3/32	2 39/64	3/4	ZKIP212-34 ZKIP212	IP212	ZK212-34 ZK212	7.1	52.4	36.2	14.4	—	—	—	—	—	—	—	—	
	80	260	70	200	22	30	155	66	M20								ZKIP212C	ZKIP212CD	89	3 1/2	7.1	ZKIP212FC	ZKIP212FCD	114	4 1/2

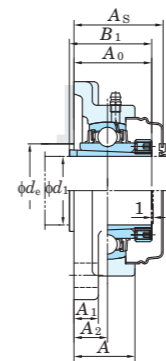
- Remarks
- In Part No. of unit and units with covers, fitting codes follow bore diameter numbers.
 - Part No. of applicable grease fittings are shown below.
 A-1/4-28UNF.....208~210
 A-R1/8.....211~212
 - In Part No. of bearing with adapters, turn UK in the Part No. shown in the dimensional tables to ZK.
 (Example of Part No. : ZK208)

- As for the triple seal type product, suffix code L3 follows the Part No. of unit or bearing.
 (Example of Part No. : ZKIP208JL3)
- For the dimensions and forms of applicable bearings and adapters, see the dimensional tables of ball bearing for unit and adapter.
- Housings of nodular graphite cast iron are also available.

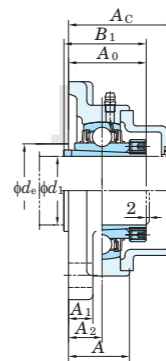
ZKF
Tapered bore (with adapter)
 d_1 20 ~ 40 mm



With Pressed Steel Cover



With Cast Iron Cover



Variations of tolerance of distance from mounting surface to center of spherical bore (ΔA_{2s}) and tolerance of position of bolt hole (X)

Housing No.			ΔA_{2s}	X
F205~F210	FX05~FX10	F305~F310	± 0.5	0.7
F211~F212	FX11~FX12	F311~F312	± 0.8	1

Unit: mm

Variations of tolerance of bolt hole diameter (ΔN_s)

Housing No.			ΔN_s
F205~F212	FX05~FX12	F305~F312	± 0.2

Unit: mm

Shaft Dia. mm d_1	inch	Dimensions									Bolt Size inch mm	Standard			Mass kg	Basic			Factor f_0	With Pressed Steel Cover				With Cast Iron Cover										
		L	A	J	N	inch				Unit No.		Housing No.	Bearing No.	Load Ratings kN C_r C_{0r}		Unit No.		Dimension		Mass kg	Unit No.		Dimension		Mass kg									
						mm	mm	mm	mm							mm	inch	mm			inch	mm	inch											
20	³ / ₄	3 ³ / ₄	1 ¹ / ₁₆	2 ³ / ₄	¹⁵ / ₃₂	¹ / ₂	⁵ / ₈	1 ³ / ₈	1 ¹⁵ / ₃₂	1 ³ / ₁₆	³ / ₈	ZKF205-12 ZKF205	F205	ZK205-12 ZK205	0.87	14.0	7.85	13.9	—	—	—	—	—	—	—	—	—	—	—					
	³ / ₄	4 ¹ / ₄	1 ³ / ₁₆	3 ¹⁷ / ₆₄	¹⁵ / ₃₂	¹ / ₂	⁴⁵ / ₆₄	1 ³³ / ₆₄	1 ¹⁵ / ₃₂	1 ³ / ₁₆	³ / ₈	ZKFX05-12 ZKFX05	FX05	ZKX05-12 ZKX05	1.2	19.5	11.3	13.9	ZKF205C	ZKF205D	40.5	1 ¹⁹ / ₃₂	0.87	ZKF205FC	ZKF205FD	49	1 ¹⁵ / ₁₆	1.1						
	³ / ₄	4 ¹¹ / ₃₂	1 ⁵ / ₃₂	3 ⁵ / ₃₂	⁵ / ₈	¹ / ₂	⁵ / ₈	1 ⁷ / ₁₆	1 ¹⁵ / ₃₂	—	—	ZKF305-12 ZKF305	F305	ZK305-12 ZK305	1.4	21.2	10.9	12.6	—	—	—	—	—	—	—	—	—	—	—					
25	⁷ / ₈ ¹⁵ / ₁₆	4 ¹ / ₄	1 ⁷ / ₃₂	3 ¹⁷ / ₆₄	¹⁵ / ₃₂	¹ / ₂	⁴⁵ / ₆₄	1 ³³ / ₆₄	1 ⁹ / ₁₆	1 ¹³ / ₃₂	³ / ₈	ZKF206-14 ZKF206-15 ZKF206 ZKF206-16	F206	ZK206-14 ZK206-15 ZK206 ZK206-16	1.3	19.5	11.3	13.9	ZKF206C	ZKF206D	44.5	1 ³ / ₄	1.3	ZKF206FC	ZKF206FD	53.0	2 ³ / ₃₂	1.6						
	⁷ / ₈ ¹⁵ / ₁₆	4 ¹⁹ / ₃₂	1 ¹¹ / ₃₂	3 ⁵ / ₈	⁵ / ₈	⁹ / ₁₆	³ / ₄	1 ⁵ / ₈	1 ⁹ / ₁₆	1 ¹³ / ₃₂	¹ / ₂	ZKFX06-14 ZKFX06-15 ZKFX06 ZKFX06-16	FX06	ZKX06-14 ZKX06-15 ZKX06 ZKX06-16	1.6	25.7	15.4	13.9	ZKFX06C	ZKFX06D	49.0	1 ¹⁵ / ₁₆	1.6	—	—	—	—	—	—					
	⁷ / ₈ ¹⁵ / ₁₆	4 ²⁹ / ₃₂	1 ¹ / ₄	3 ⁴⁷ / ₆₄	⁵ / ₈	¹⁹ / ₃₂	⁴⁵ / ₆₄	1 ⁹ / ₁₆	1 ⁹ / ₁₆	—	—	ZKF306-14 ZKF306-15 ZKF306 ZKF306-16	F306	ZK306-14 ZK306-15 ZK306 ZK306-16	1.9	26.7	15.0	13.3	—	—	—	—	—	—	ZKF306C	ZKF306D	59.0	2 ⁵ / ₁₆	2.2					
30	1 ¹ / ₈ 1 ³ / ₁₆	4 ¹⁹ / ₃₂	1 ¹¹ / ₃₂	3 ⁵ / ₈	³⁵ / ₆₄	¹⁹ / ₃₂	³ / ₄	1 ⁵ / ₈	1 ⁴⁷ / ₆₄	1 ⁵ / ₈	⁷ / ₁₆	ZKF207-18 ZKF207 ZKF207-19	F207	ZK207-18 ZK207 ZK207-19	1.6	25.7	15.4	13.9	ZKF207C	ZKF207D	49	1 ¹⁵ / ₁₆	1.6	ZKF207FC	ZKF207FD	58	2 ⁹ / ₃₂	2.0						
	1 ¹ / ₈ 1 ³ / ₁₆	5 ¹ / ₈	1 ¹ / ₂	4 ¹ / ₆₄	⁵ / ₈	⁹ / ₁₆	⁵³ / ₆₄	1 ²⁵ / ₃₂	1 ⁴⁷ / ₆₄	1 ⁵ / ₈	¹ / ₂	ZKFX07-18 ZKFX07 ZKFX07-19	FX07	ZKX07-18 ZKX07 ZKX07-19	2.0	29.1	17.8	14.0	ZKFX07C	ZKFX07D	55.5	2 ³ / ₁₆	2.0	—	—	—	—	—	—					
	1 ¹ / ₈ 1 ³ / ₁₆	5 ⁵ / ₁₆	1 ¹³ / ₃₂	3 ¹⁵ / ₁₆	³ / ₄	⁵ / ₈	²⁵ / ₃₂	1 ²³ / ₃₂	1 ⁴⁷ / ₆₄	—	—	ZKF307-18 ZKF307 ZKF307-19	F307	ZK307-18 ZK307 ZK307-19	2.3	33.4	19.3	13.2	—	—	—	—	—	—	ZKF307C	ZKF307D	64	2 ¹⁷ / ₃₂	2.8					
35	1 ¹ / ₄ 1 ³ / ₈	5 ¹ / ₈	1 ¹³ / ₃₂	4 ¹ / ₆₄	⁵ / ₈	¹⁹ / ₃₂	⁵³ / ₆₄	1 ¹³ / ₁₆	1 ⁵⁵ / ₆₄	1 ¹³ / ₁₆	¹ / ₂	ZKF208-20 ZKF208-22 ZKF208	F208	ZK208-20 ZK208-22 ZK208	1.9	29.1	17.8	14.0	—	—	—	—	—	—	ZKF208C	ZKF208D	55.5	2 ³ / ₁₆	1.9	ZKF208FC	ZKF208FD	64	2 ¹⁷ / ₃₂	2.3
	1 ¹ / ₄ 1 ³ / ₈	5 ¹³ / ₃₂	1 ⁹ / ₁₆	4 ⁹ / ₆₄	³ / ₄	⁹ / ₁₆	⁵⁵ / ₆₄	1 ⁷ / ₈	1 ⁵⁵ / ₆₄	1 ¹³ / ₁₆	⁵ / ₈	ZKFX08-20 ZKFX08-22 ZKFX08	FX08	ZKX08-20 ZKX08-22 ZKX08	2.3	34.1	21.3	14.0	—	—	—	—	—	—	ZKFX08C	ZKFX08D	56.5	2 ⁷ / ₃₂	2.3	—	—	—	—	
	1 ¹ / ₄ 1 ³ / ₈	5 ²⁹ / ₃₂	1 ⁹ / ₁₆	4 ¹³ / ₃₂	³ / ₄	²¹ / ₃₂	²⁹ / ₃₂	1 ²⁹ / ₃₂	1 ⁵⁵ / ₆₄	—	—	ZKF308-20 ZKF308-22 ZKF308	F308	ZK308-20 ZK308-22 ZK308	3.1	40.7	24.0	13.2	—	—	—	—	—	—	—	—	ZKF308C	ZKF308D	71	2 ²⁵ / ₃₂	3.6			
40	1 ⁷ / ₁₆ 1 ¹ / ₂	5 ¹³ / ₃₂	1 ¹ / ₂	4 ⁹ / ₆₄	⁵ / ₈	⁵ / ₈	⁵⁵ / ₆₄	1 ⁷ / ₈	1 ¹⁵ / ₁₆	2 ¹ / ₁₆	¹ / ₂	ZKF209-23 ZKF209-24 ZKF209	F209	ZK209-23 ZK209-24 ZK209	2.3	34.1	21.3	14.0	—	—	—	—	—	—	ZKF209C	ZKF209D	56.5	2 ⁷ / ₃₂	2.3	ZKF209FC	ZKF209FD	66	2 ¹⁹ / ₃₂	2.8
	1 ⁷ / ₁₆ 1 ¹ / ₂	5 ⁵ / ₈	1 ⁹ / ₁₆	4 ³ / ₈	³ / ₄	⁹ / ₁₆	²⁹ / ₃₂	1 ¹⁵ / ₁₆	1 ¹⁵ / ₁₆	2 ¹ / ₁₆	⁵ / ₈	ZKFX09-23 ZKFX09-24 ZKFX09	FX09	ZKX09-23 ZKX09-24 ZKX09	2.7	35.1	23.3	14.4	—	—	—	—	—	—	ZKFX09C	ZKFX09D	60	2 ³ / ₈	2.7	—	—	—	—	
	1 ⁷ / ₁₆ 1 ¹ / ₂	6 ⁵ / ₁₆	1 ²³ / ₃₂	4 ⁵⁹ / ₆₄	³ / ₄	²³ / ₃₂	⁶³ / ₆₄	2 ¹ / ₁₆	1 ¹⁵ / ₁₆	—	—	ZKF309-23 ZKF309-24 ZKF309	F309	ZK309-23 ZK309-24 ZK309	4.1	48.9	29.5	13.3	—	—	—	—	—	—	—	—	ZKF309C	ZKF309D	76	3	4.7			

Remarks 1. In Part No. of unit and units with covers, fitting codes follow bore diameter numbers.

2. Part No. of applicable grease fittings are shown below.

A-1/4-28UNF.....205~210, X05~X09, 305~308

A-R1/8.....211~212, X10~X12, 309~312

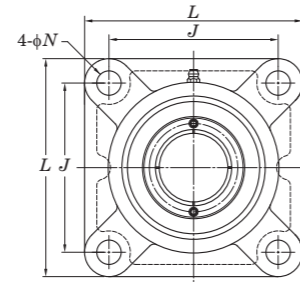
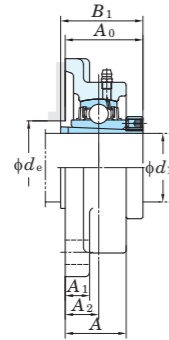
3. In Part No. of bearing with adapters, turn UK in the Part No. shown in the dimensional tables to ZK.
 (Example of Part No.: ZK206)

4. As for the triple seal type product (205 is the double seal type product), suffix code L3 (or L2) follows the Part No. of unit or bearing.
 (Example of Part No.: ZKF206JL3)

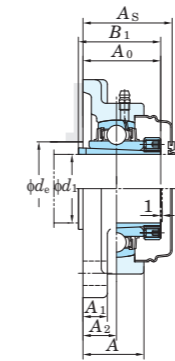
5. For the dimensions and forms of applicable bearings and adapters, see the dimensional tables of ball bearing for unit and adapter.

6. Housings of nodular graphite cast iron are also available.

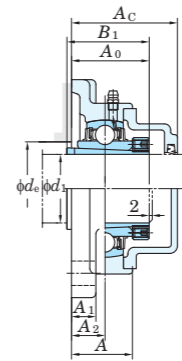
ZKF
Tapered bore (with adapter)
 d_1 45 ~ 55 mm



With Pressed Steel Cover



With Cast Iron Cover



Variations of tolerance of distance from mounting surface to center of spherical bore (ΔA_{2s}) and tolerance of position of bolt hole (X)

Housing No.			ΔA_{2s}	X
F205~F210	FX05~FX10	F305~F310	± 0.5	0.7
F211~F212	FX11~FX12	F311~F312	± 0.8	1

Variations of tolerance of bolt hole diameter (ΔN_s)

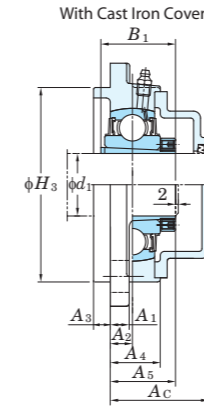
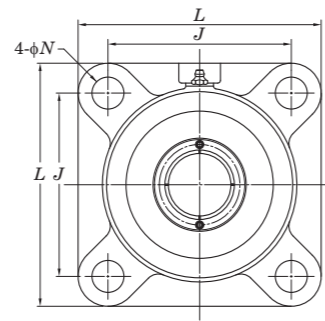
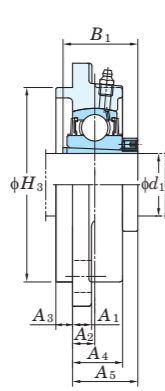
Housing No.			ΔN_s
F205~F212	FX05~FX12	F305~F312	± 0.2

Shaft Dia. mm inch		Dimensions										Bolt Size inch mm	Standard			Basic Load Ratings		Factor f_0	With Pressed Steel Cover			With Cast Iron Cover																					
		inch mm											Unit No.	Housing No.	Bearing No.	Mass kg	C_r		C_{0r}	Unit No. Open Type One Side Closed Type	Dimension mm inch A_s	Mass kg	Unit No. Open Type One Side Closed Type	Dimension mm inch A_c	Mass kg																		
d_1		L	A	J	N	A ₁	A ₂	A ₀	B ₁	d_e																																	
45	1 5/8	5 5/8 143	1 9/16 40	4 3/8 111	5/8 16	5/8 16	55/64 22	2 1/64 51	2 1/8 54	2 9/32 58	1/2 M14	ZKF210-26	F210	ZK210-26	2.6	35.1	23.3	14.4	-	-	-	-	-	-	-	-	-	-	-	-	-												
	1 11/16											ZKF210-27		ZK210-27																		ZKF210C	ZKF210D	59.0	2 5/16	2.6	ZKF210FC	ZKF210FD	70.5	2 25/32	3.1		
	1 3/4											ZKF210-28		ZK210-28																		ZKF210	-	-	-	-	-	-	-	-	-	-	-
	45	1 5/8	6 3/8 162	1 23/32 44	5 1/8 130	3/4 19	25/32 20	1 1/32 26	2 1/4 57	2 1/8 54	2 9/32 58	5/8 M16	ZKFX10-26	FX10	ZKX10-26	3.6	43.4	29.4	14.4	-	-	-	-	-	-	-	-	-	-	-	-	-											
		1 11/16											ZKFX10-27		ZKX10-27																		ZKFX10C	ZKFX10D	64.0	2 17/32	3.6	-	-	-	-	-	
		1 3/4											ZKFX10-28		ZKX10-28																		ZKFX10	-	-	-	-	-	-	-	-	-	-
		45	1 5/8	6 7/8 175	1 7/8 48	5 13/64 132	29/32 23	3/4 19	1 7/64 28	2 21/64 59	2 1/8 54	-	3/4 M20	ZKF310-26	F310	ZK310-26	5.1	62.0	38.3	13.2	-	-	-	-	-	-	-	-	-	-	-	-	-										
			1 11/16											ZKF310-27		ZK310-27																		-	-	-	-	-	-	-	-	-	-
			1 3/4											ZKF310-28		ZK310-28																		ZKF310	ZKF310C	ZKF310D	83.0	3 9/32	5.9	-	-	-	-
50			1 7/8	6 3/8 162	1 11/16 43	5 1/8 130	3/4 19	23/32 18	63/64 25	2 13/64 56	2 13/32 61	2 17/32 64	5/8 M16	ZKF211-30	F211	ZK211-30	3.5	43.4	29.4	14.4	-	-	-	-	-	-	-	-	-	-	-	-	-										
			1 15/16											ZKF211-31		ZK211-31																		ZKF211C	ZKF211D	63.0	2 15/32	3.5	ZKF211FC	ZKF211FD	74.5	2 15/16	4.1
			2											ZKF211-32		ZK211-32																		-	-	-	-	-	-	-	-	-	-
	50		1 7/8	6 7/8 175	1 15/16 49	5 5/8 143	3/4 19	25/32 20	1 9/64 29	2 1/2 63.5	2 13/32 61	2 17/32 64	5/8 M16	ZKFX11-30	FX11	ZKX11-30	4.6	52.4	36.2	14.4	-	-	-	-	-	-	-	-	-	-	-	-	-										
			1 15/16											ZKFX11-31		ZKX11-31																		ZKFX11C	ZKFX11D	73.5	2 29/32	4.6	-	-	-	-	-
			2											ZKFX11-32		ZKX11-32																		-	-	-	-	-	-	-	-	-	-
		50	1 7/8	7 9/32 185	2 1/16 52	5 33/64 140	29/32 23	25/32 20	1 3/16 30	2 15/32 62.5	2 13/32 61	-	3/4 M20	ZKF311-30	F311	ZK311-30	5.9	71.6	45.0	13.2	-	-	-	-	-	-	-	-	-	-	-	-	-										
			1 15/16											ZKF311-31		ZK311-31																		ZKF311C	ZKF311D	87.0	3 7/16	6.8	-	-	-	-	-
			2											ZKF311-32		ZK311-32																		-	-	-	-	-	-	-	-	-	-
55			2 1/8	6 7/8 175	1 7/8 48	5 5/8 143	3/4 19	23/32 18	1 9/64 29	2 15/32 66.5	2 39/64 66	2 23/32 69	5/8 M16	ZKF212-34	F212	ZK212-34	4.1	52.4	36.2	14.4	-	-	-	-	-	-	-	-	-	-	-	-	-										
			2 1/8											ZKF212		ZK212																		ZKF212C	ZKF212D	73.5	2 29/32	4.1	ZKF212FC	ZKF212FD	86	3 3/8	4.9
			55	2 1/8	7 3/8 187	2 5/16 59	5 55/64 149	3/4 19	13/16 21	1 11/32 34	2 13/16 71.5	2 39/64 66	2 23/32 69	5/8 M16	ZKFX12-34	FX12	ZKX12-34	5.5	57.2	40.1	14.4	-	-	-	-	-	-	-	-	-	-	-	-	-									
	ZKFX12														ZKX12		ZKFX12C																		ZKFX12D	78.5	3 3/32	5.5	-	-	-	-	-
	55		2 1/8	7 11/16 195	2 7/32 56	5 29/32 150	29/32 23	7/8 22	1 19/64 33	2 25/32 70.5	2 39/64 66	-	3/4 M20	ZKF312-34	F312	ZK312-34	6.8	81.9	52.2	13.2	-	-	-	-	-	-	-	-	-	-	-	-	-										
														ZKF312		ZK312																		ZKF312C	ZKF312D	95	3 3/4	8	-	-	-	-	-

- Remarks
- In Part No. of unit and units with covers, fitting codes follow bore diameter numbers.
 - Part No. of applicable grease fittings are shown below.
A-1/4-28UNF.....205~210, X05~X09, 305~308
A-R1/8.....211~212, X10~X12, 309~312
 - In Part No. of bearing with adapters, turn UK in the Part No. shown in the dimensional tables to ZK.
(Example of Part No.: ZK206)
 - As for the triple seal type product (205 is the double seal type product), suffix code L3 (or L2) follows the Part No. of unit or bearing.
(Example of Part No.: ZKF206JL3)
 - For the dimensions and forms of applicable bearings and adapters, see the dimensional tables of ball bearing for unit and adapter.
 - Housings of nodular graphite cast iron are also available.

Square Piloted 4-Bolt Flange Units

ZKFS
Tapered bore (with adapter)
d₁ 20 ~ 55 mm



Variations of tolerance of spigot joint outside diameter (ΔH_{3s}), variations of tolerance of distance from mounting surface to center of spherical bore (ΔA_{2s}), tolerance of position of bolt hole (X), and tolerance of circumferential runout of spigot joint (Y)

Housing No.	ΔH_{3s}	ΔA_{2s}	Unit: mm	
			X	Y
FS305	0 -0.046	±0.5	0.7	0.2
FS306-FS308	0 -0.054			
FS309-FS310	0	±0.8	1	0.3
FS311-FS312	-0.063			

Variations of tolerance of bolt hole diameter (ΔN_b)

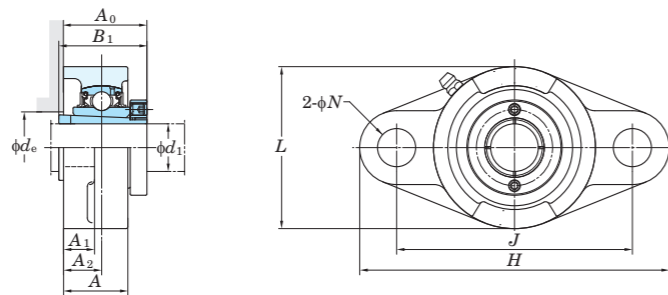
Housing No.	Unit: mm
FS305-FS312	±0.2

Shaft Dia. mm inch d ₁	Dimensions inch mm											Bolt Size inch mm	Standard			Mass kg	Basic Load Ratings kN C _r C _{0r}		Factor f ₀	With Cast Iron Cover		
	L	H ₃	J	N	A ₁	A ₂	A ₃	A ₄	A ₅	B ₁	Unit No.		Housing No.	Bearing No.	Unit No. Open Type Closed Type		Dimension mm inch A _c	Mass kg				
20 3/4	4 11/32	3.1496	3 5/32	5/8	1/2	23/64	9/32	7/8	1 5/32	1 15/32	1/2	ZKFS305-12 ZKFS305	FS305	ZK305-12 ZK305	-	-	12.6	-	-	-		
	110	80	80	16	13	9	7	22	29.5	37	M14			ZKFS305C	ZKFS305D	47 1 27/32	1.7					
25 7/8 15/16	4 29/32	3.5433	3 47/64	5/8	19/32	25/64	5/16	15/16	1 17/64	1 9/16	1/2	ZKFS306-14 ZKFS306-15 ZKFS306 ZKFS306-16	FS306	ZK306-14 ZK306-15 ZK306 ZK306-16	-	-	13.3	-	-	-		
	125	90	95	16	15	10	8	24	32	40	M14			ZKFS306C	ZKFS306D	51 2	2.2					
30 1 1/8 1 3/16	5 5/16	3.9370	3 15/16	3/4	5/8	7/16	23/64	1 1/16	1 23/64	1 47/64	5/8	ZKFS307-18 ZKFS307 ZKFS307-19	FS307	ZK307-18 ZK307 ZK307-19	-	-	13.2	-	-	-		
	135	100	100	19	16	11	9	27	34.5	44	M16			ZKFS307C	ZKFS307D	55 2 5/32	2.9					
35 1 1/4 1 3/8	5 29/32	4.5276	4 13/32	3/4	21/32	33/64	25/64	1 3/16	1 33/64	1 55/64	5/8	ZKFS308-20 ZKFS308-22 ZKFS308	FS308	ZK308-20 ZK308-22 ZK308	-	-	13.2	-	-	-		
	150	115	112	19	17	13	10	30	38.5	47	M16			ZKFS308C	ZKFS308D	61 2 13/32	3.9					
40 1 7/16 1 1/2	6 5/16	4.9213	4 59/64	3/4	23/32	35/64	7/16	1 5/16	1 5/8	1 15/16	5/8	ZKFS309-23 ZKFS309-24 ZKFS309	FS309	ZK309-23 ZK309-24 ZK309	-	-	13.3	-	-	-		
	160	125	125	19	18	14	11	33	41	49	M16			ZKFS309C	ZKFS309D	65 2 9/16	5.0					
45 1 5/8 1 11/16 1 3/4	6 7/8	5.5118	5 13/64	29/32	3/4	5/8	15/32	1 13/32	1 55/64	2 1/8	3/4	ZKFS310-26 ZKFS310-27 ZKFS310-28 ZKFS310	FS310	ZK310-26 ZK310-27 ZK310-28 ZK310	-	-	13.2	-	-	-		
	175	140	132	23	19	16	12	36	47	54	M20			ZKFS310C	ZKFS310D	71 2 25/32	6.1					
50 1 7/8 1 15/16	7 9/32	5.9055	5 33/64	29/32	25/32	43/64	33/64	1 17/32	1 61/64	2 13/32	3/4	ZKFS311-30 ZKFS311-31 ZKFS311 ZKFS311-32	FS311	ZK311-30 ZK311-31 ZK311 ZK311-32	-	-	13.2	-	-	-		
	185	150	140	23	20	17	13	39	49.5	61	M20			ZKFS311C	ZKFS311D	74 2 29/32	7.2					
55 2 1/8	7 11/16	6.2992	5 29/32	29/32	7/8	3/4	35/64	1 21/32	2 7/32	2 39/64	3/4	ZKFS312-34 ZKFS312	FS312	ZK312-34 ZK312	-	-	13.2	-	-	-		
	195	160	150	23	22	19	14	42	56.5	66	M20			ZKFS312C	ZKFS312D	81 3 3/16	8.5					

- Remarks
- In Part No. of unit and units with covers, fitting codes follow bore diameter numbers.
 - Part No. of applicable grease fittings are shown below.
A-1/4-28UNF.....305~308
A-R1/8.....309~312
 - In Part No. of bearing with adapters, turn UK in the Part No. shown in the dimensional tables to ZK.
(Example of Part No.: ZK306)

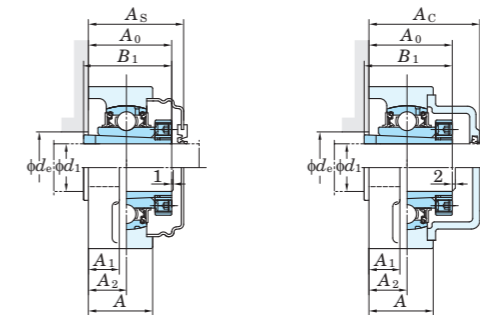
- As for the triple seal type product, suffix code L3 follows the Part No. of unit or bearing.
(Example of Part No.: ZKFS306JL3)
- For the dimensions and forms of applicable bearings and adapters, see the dimensional tables of ball bearing for unit and adapter.
- Representative examples of the forms of housing are indicated.
- Housings of nodular graphite cast iron are also available.

ZKFL
Tapered bore (with adapter)
d₁ 20 ~ 40 mm



With Pressed Steel Cover

With Cast Iron Cover



Variations of tolerance of distance from mounting surface to center of spherical bore (ΔA_{2b}) and tolerance of position of bolt hole (X)

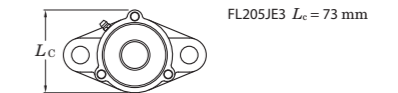
Housing No.	ΔA _{2b}	X
FL205~FL210 FL211~FL212	±0.5 ±0.8	0.7 1

Unit: mm

Housing No.	ΔN _b
FL205~FL212 FL311~FL312	±0.2 ±0.3

Unit: mm

Forms and dimensions of L_c of FL205JE3 (housing with cast iron cover) are shown below.



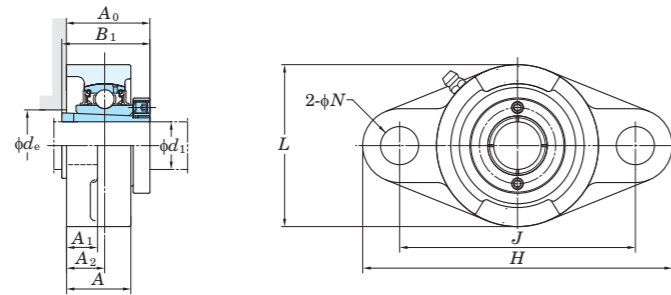
Shaft Dia. mm inch d ₁	Dimensions inch mm											Bolt Size inch mm	Standard			Mass kg	Basic Load Ratings kN		Factor f ₀	With Pressed Steel Cover			With Cast Iron Cover																						
	H	L	A	J	N	A ₁	A ₂	A ₀	B ₁	d _e	Unit No.		Housing No.	Bearing No.	C _r		C _{0r}	Unit No. Open Type Closed Type		Dimension mm inch A _s	Mass kg	Unit No. Open Type Closed Type	Dimension mm inch A _c	Mass kg																					
20	³ / ₄	5 ¹ / ₈	2 ¹¹ / ₁₆	1 ¹ / ₁₆	3 ⁵⁷ / ₆₄	⁵ / ₈	¹ / ₂	⁵ / ₈	1 ³ / ₈	1 ¹⁵ / ₃₂	1 ³ / ₁₆	¹ / ₂	ZKFL205-12 ZKFL205	FL205	ZK205-12 ZK205		0.68	14.0	7.85	13.9																									
	³ / ₄	5 ⁹ / ₁₆	3 ⁹ / ₃₂	1 ³ / ₁₆	4 ³⁹ / ₆₄	¹⁵ / ₃₂	¹ / ₂	⁴⁵ / ₆₄	1 ³³ / ₆₄	1 ¹⁵ / ₃₂	1 ³ / ₁₆	³ / ₈	ZKFLX05-12 ZKFLX05	FLX05	ZKX05-12 ZKX05		1.0	19.5	11.3	13.9																									
	³ / ₄	5 ²⁹ / ₃₂	3 ⁵ / ₃₂	1 ⁵ / ₃₂	4 ²⁹ / ₆₄	³ / ₄	¹ / ₂	⁵ / ₈	1 ⁷ / ₆	1 ¹⁵ / ₃₂	—	—	⁵ / ₈	ZKFL305-12 ZKFL305	FL305	ZK305-12 ZK305		1.1	21.2	10.9	12.6										ZKFL305C	ZKFL305D	54	2 ¹ / ₈	1.4										
25	⁷ / ₈	5 ¹³ / ₁₆	3 ³ / ₃₂	1 ⁷ / ₃₂	4 ³⁹ / ₆₄	⁵ / ₈	¹ / ₂	⁴⁵ / ₆₄	1 ³³ / ₆₄	1 ⁹ / ₁₆	1 ¹³ / ₃₂	³ / ₈	ZKFL206-14 ZKFL206-15 ZKFL206	FL206	ZK206-14 ZK206-15 ZK206		1.0	19.5	11.3	13.9																									
	⁷ / ₈	6 ⁵ / ₃₂	3 ³ / ₄	1 ¹¹ / ₃₂	5 ¹ / ₈	⁵ / ₈	⁹ / ₁₆	³ / ₄	1 ⁵ / ₈	1 ⁹ / ₁₆	1 ¹³ / ₃₂	³ / ₈	ZKFLX06-14 ZKFLX06-15 ZKFLX06	FLX06	ZKX06-14 ZKX06-15 ZKX06		1.5	25.7	15.4	13.9																									
	1	7 ³ / ₃₂	3 ¹⁷ / ₃₂	1 ¹ / ₄	5 ⁹ / ₃₂	²⁹ / ₃₂	¹⁹ / ₃₂	⁴⁵ / ₆₄	1 ⁹ / ₁₆	1 ⁹ / ₁₆	—	—	³ / ₄	ZKFL306-14 ZKFL306-15 ZKFL306	FL306	ZK306-14 ZK306-15 ZK306		1.5	26.7	15.0	13.3														ZKFL306C	ZKFL306D	59	2 ⁵ / ₁₆	1.8						
30	1 ¹ / ₈	6 ¹¹ / ₃₂	3 ¹⁷ / ₃₂	1 ¹¹ / ₃₂	5 ¹ / ₈	⁵ / ₈	⁹ / ₁₆	³ / ₄	1 ⁵ / ₈	1 ⁴⁷ / ₆₄	1 ⁵ / ₈	³ / ₈	ZKFL207-18 ZKFL207	FL207	ZK207-18 ZK207		1.3	25.7	15.4	13.9																									
	1 ¹ / ₈	6 ²³ / ₃₂	4 ¹ / ₈	1 ¹ / ₂	5 ⁴³ / ₆₄	⁵ / ₈	⁹ / ₁₆	⁵³ / ₆₄	1 ²⁵ / ₃₂	1 ⁴⁷ / ₆₄	1 ⁵ / ₈	³ / ₈	ZKFLX07-18 ZKFLX07	FLX07	ZKX07-18 ZKX07		1.8	29.1	17.8	14.0																									
	1 ¹ / ₈	7 ⁹ / ₃₂	3 ¹⁵ / ₁₆	1 ¹³ / ₃₂	5 ³⁵ / ₆₄	²⁹ / ₃₂	⁵ / ₈	²⁵ / ₃₂	1 ²³ / ₃₂	1 ⁴⁷ / ₆₄	—	—	³ / ₄	ZKFL307-18 ZKFL307	FL307	ZK307-18 ZK307		1.9	33.4	19.3	13.2																								
35	1 ¹ / ₄	6 ⁷ / ₈	3 ¹⁵ / ₁₆	1 ¹³ / ₃₂	5 ⁴³ / ₆₄	⁵ / ₈	⁹ / ₁₆	⁵³ / ₆₄	1 ¹³ / ₁₆	1 ⁵⁵ / ₆₄	1 ¹³ / ₁₆	³ / ₈	ZKFL208-20 ZKFL208-22 ZKFL208	FL208	ZK208-20 ZK208-22 ZK208		1.6	29.1	17.8	14.0																									
	1 ¹ / ₄	7 ¹ / ₁₆	4 ³ / ₈	1 ⁹ / ₁₆	5 ⁵³ / ₆₄	⁵ / ₈	⁹ / ₁₆	⁵⁵ / ₆₄	1 ⁷ / ₈	1 ⁵⁵ / ₆₄	1 ¹³ / ₁₆	³ / ₈	ZKFLX08-20 ZKFLX08-22 ZKFLX08	FLX08	ZKX08-20 ZKX08-22 ZKX08		2.1	34.1	21.3	14.0																									
	1 ¹ / ₄	7 ⁷ / ₈	4 ¹³ / ₃₂	1 ⁹ / ₁₆	6 ⁷ / ₃₂	²⁹ / ₃₂	²¹ / ₃₂	²⁹ / ₃₂	1 ²⁹ / ₃₂	1 ⁵⁵ / ₆₄	—	—	³ / ₄	ZKFL308-20 ZKFL308-22 ZKFL308	FL308	ZK308-20 ZK308-22 ZK308		2.5	40.7	24.0	13.2																								
40	1 ⁷ / ₁₆	7 ¹³ / ₃₂	4 ¹ / ₄	1 ¹ / ₂	5 ⁵³ / ₆₄	³ / ₄	¹⁹ / ₃₂	⁵⁵ / ₆₄	1 ⁷ / ₈	1 ¹⁵ / ₁₆	2 ¹ / ₁₆	⁵ / ₈	ZKFL209-23 ZKFL209-24 ZKFL209	FL209	ZK209-23 ZK209-24 ZK209		2.0	34.1	21.3	14.0																									
	1 ⁷ / ₁₆	7 ⁷ / ₁₆	4 ⁹ / ₁₆	1 ⁹ / ₁₆	6 ³ / ₁₆	⁵ / ₈	⁹ / ₁₆	²⁹ / ₃₂	1 ¹⁵ / ₁₆	1 ¹⁵ / ₁₆	2 ¹ / ₁₆	³ / ₈	ZKFLX09-23 ZKFLX09-24 ZKFLX09	FLX09	ZKX09-23 ZKX09-24 ZKX09		2.5	35.1	23.3	14.4																									
	1 ⁷ / ₁₆	9 ¹ / ₁₆	4 ²⁹ / ₃₂	1 ²³ / ₃₂	6 ³¹ / ₃₂	⁶³ / ₆₄	²³ / ₃₂	⁶³ / ₆₄	2 ³ / ₆₄	1 ¹⁵ / ₁₆	—	—	⁷ / ₈	ZKFL309-23 ZKFL309-24 ZKFL309	FL309	ZK309-23 ZK309-24 ZK309		3.6	48.9	29.5	13.3																								

Remarks 1. In Part No. of unit and units with covers, fitting codes follow bore diameter numbers.
2. Part No. of applicable grease fittings are shown below.
A-1/4-28UNF.....205~210, X05~X09, 305~308
A-R1/8.....211~212, X10, 309~312
3. In Part No. of bearing with adapters, turn UK in the Part No. shown in the dimensional tables to ZK.
(Example of Part No.: ZK206)

4. As for the triple seal type product (205 is the double seal type product), suffix code L3 (or L2) follows the Part No. of unit or bearing.
(Example of Part No.: ZKFL206JL3)
5. For the dimensions and forms of applicable bearings and adapters, see the dimensional tables of ball bearing for unit and adapter.
6. Housings of nodular graphite cast iron are also available.

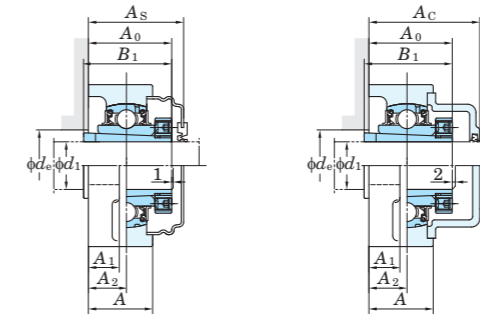
2-Bolt Flange Units

ZKFL
Tapered bore (with adapter)
d₁ 45 ~ 55 mm



With Pressed Steel Cover

With Cast Iron Cover

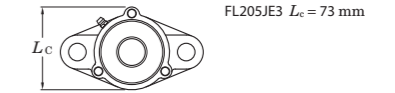


Variations of tolerance of distance from mounting surface to center of spherical bore (ΔA_{2s}) and tolerance of position of bolt hole (X)

Housing No.			ΔA_{2s}	X
FL205~FL210	FLX05~FLX10	FL305~FL310	±0.5	0.7
FL211~FL212		FL311~FL312	±0.8	1

Housing No.			ΔN_s
FL205~FL212	FLX05~FLX10	FL305~FL311	±0.2
		FL311~FL312	±0.3

Forms and dimensions of L_c of FL205JE3 (housing with cast iron cover) are shown below.



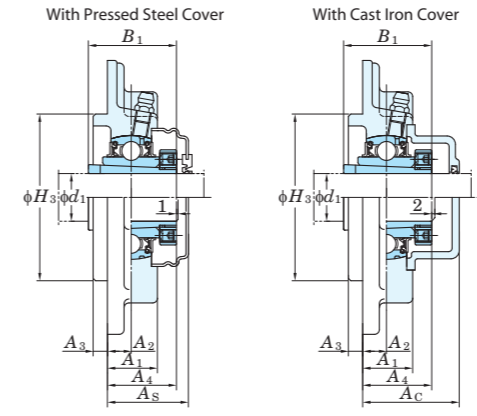
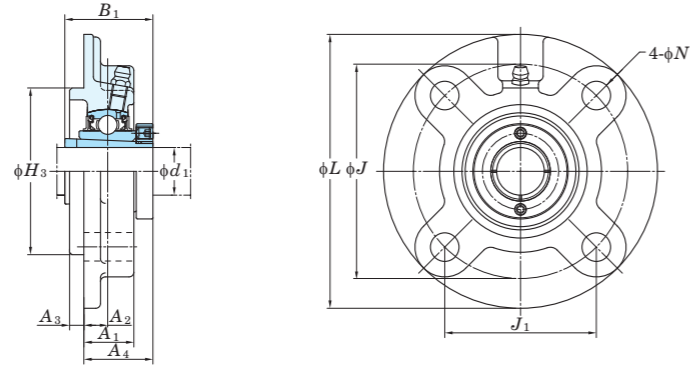
Shaft Dia. mm inch	Dimensions inch mm											Bolt Size inch mm	Standard			Mass kg	Basic Load Ratings kN		Factor f ₀	With Pressed Steel Cover			With Cast Iron Cover			
	H	L	A	J	N	A ₁	A ₂	A ₀	B ₁	d _e	Unit No.		Housing No.	Bearing No.	C _r		C _{0r}	Unit No. Open Type Closed Type		Dimension mm inch A _s	Mass kg	Unit No. Open Type Closed Type	Dimension mm inch A _c	Mass kg		
45 1 5/8 1 11/16 1 3/4	7 3/4	4 17/32	1 9/16	6 3/16	3/4	19/32	55/64	2 1/64	2 1/8	2 9/32	5/8	FL210	ZK210-26 ZK210-27 ZK210-28 ZK210	2.3	35.1 23.3	14.4	-	-	-	-	-	-				
	197	115	40	157	19	15	22	51	54	58	M16		ZKFL210-26 ZKFL210-27 ZKFL210-28 ZKFL210				ZKFL210C	ZKFL210D	59	2 5/16	2.3	ZKFL210FC	ZKFL210FD	70.5	2 25/32	2.8
	1 5/8	8 1/2	5 1/4	1 23/32	7 1/4	3/4	25/32	1 1/32	2 1/4	2 1/8	2 9/32		5/8				FLX10	ZKX10-26 ZKX10-27 ZKX10-28 ZKX10	3.7	43.4 29.4	14.4	-	-	-	-	-
	1 11/16	216	133	44	184	19	20	26	57	54	58	M16	ZKFLX10-26 ZKFLX10-27 ZKFLX10-28 ZKFLX10	ZKFLX10C	ZKFLX10D	64		2 17/32				3.7	-	-	-	-
	1 3/4	240	140	48	187	25	19	28	59	54	-	M22	ZK310-26 ZK310-27 ZK310-28 ZK310	4.4	62.0 38.3	13.2		-				-	-	-	-	-
	1 5/8	9 7/16	5 1/2	1 7/8	7 23/64	63/64	3/4	1 7/64	2 21/64	2 1/8	-	7/8	ZKFL310-26 ZKFL310-27 ZKFL310-28 ZKFL310				ZKFL310C	ZKFL310D	83	3 9/32	5.2	-	-	-	-	
	1 11/16	224	130	43	184	19	18	25	56	61	64	M16	ZK211-30 ZK211-31 ZK211 ZK211-32				3.3	43.4 29.4	14.4	-	-	-	-	-	-	-
	1 3/4	250	150	52	198	25	20	30	62.5	61	-	M22	ZK311-30 ZK311-31 ZK311 ZK311-32	ZKFL211C	ZKFL211D	63				2 15/32	3.3	ZKFL211FC	ZKFL211FD	74.5	2 15/16	3.9
	2	9 27/32	5 29/32	2 1/16	7 51/64	63/64	25/32	1 3/16	2 15/32	2 13/32	-	7/8	ZKFL311-30 ZKFL311-31 ZKFL311 ZKFL311-32	-	-	-				-	-	-	-	-	-	-
50 1 7/8 1 15/16 2	250	140	48	202	23	18	29	66.5	66	69	M20	ZK212-34 ZK212	4.1	52.4 36.2	14.4	-	-	-	-	-	-	-				
	1 7/8	10 5/8	6 5/16	2 7/32	8 11/32	1 7/32	7/8	1 19/64	2 25/32	2 39/64	-	1				ZK312-34 ZK312	ZKFL212C	ZKFL212D	73.5	2 29/32	4.1	ZKFL212FC	ZKFL212FD	86	3 3/8	4.9
	1 15/16	270	160	56	212	31	22	33	70.5	66	-	M27				ZKFL312-34 ZKFL312	-	-	-	-	-	-	-	-	-	-
2	270	160	56	212	31	22	33	70.5	66	-	M27	ZK312-34 ZK312	6.9	81.9 52.2	13.2	-	-	-	-	-	-	-	-	-		
1 7/8	270	160	56	212	31	22	33	70.5	66	-	M27	ZKFL312-34 ZKFL312				ZKFL312C	ZKFL312D	95	3 3/8	8.1	-	-	-	-		
1 15/16	270	160	56	212	31	22	33	70.5	66	-	M27	ZK312-34 ZK312				-	-	-	-	-	-	-	-	-	-	

- Remarks
- In Part No. of unit and units with covers, fitting codes follow bore diameter numbers.
 - Part No. of applicable grease fittings are shown below.
A-1/4-28UNF.....205~210, X05~X09, 305~308
A-R1/8.....211~212, X10, 309~312
 - In Part No. of bearing with adapters, turn UK in the Part No. shown in the dimensional tables to ZK.
(Example of Part No. : ZK206)

- As for the triple seal type product (205 is the double seal type product), suffix code L3 (or L2) follows the Part No. of unit or bearing.
(Example of Part No. : ZKFL206JL3)
- For the dimensions and forms of applicable bearings and adapters, see the dimensional tables of ball bearing for unit and adapter.
- Housings of nodular graphite cast iron are also available.

4-Bolt Flange Cartridge Units

ZKFC
Tapered bore (with adapter)
d₁ 20 ~ 55 mm



Variations of tolerance of spigot joint outside diameter (ΔH_{3a}), variations of tolerance of distance form mounting surface to center of spherical bore (ΔA_{2a}), tolerance of position of bolt hole (X), and tolerance of circumferential runout of spigot joint (Y)

Housing No.		ΔH _{3a}	ΔA _{2a}	X	Y
FC205~FC206	FCX05	0 -0.046	±0.5	0.7	0.2
FC207~FC210	FCX06~FCX10	0 -0.054	±0.5	0.7	0.2
FC210~FC212	FCX11~FCX12	0 -0.063	±0.8	1	0.3

Variations of tolerance of bolt hole diameter (ΔN_s)

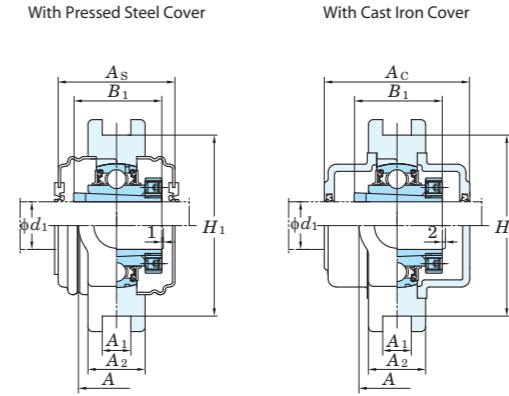
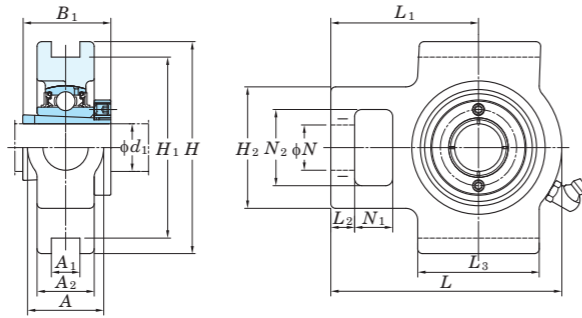
Housing No.	ΔN _s
FC204~FC212 FCX05~FCX12	±0.2

Shaft Dia. mm inch d ₁	Dimensions inch mm											Bolt Size inch mm	Standard			Mass kg	Basic Load Ratings kN			Factor f ₀	With Pressed Steel Cover				With Cast Iron Cover			
	L	H ₃	J	J ₁	N	A ₁	A ₂	A ₃	A ₄	B ₁	Unit No.		Housing No.	Bearing No.	Unit No. Open Type		Unit No. Closed Type	Dimension mm inch A _b	Mass kg		Unit No. Open Type	Unit No. Closed Type	Dimension mm inch A _c	Mass kg				
20 3/4	4 17/32	2.7559	3 35/64	2 1/2	15/32	13/16	25/64	15/64	1 5/32	1 15/32	3/8	ZKFC205-12	FC205	ZK205-12	-	-	-	-	-	-	-	-						
	115	70	90	63.6	12	21	10	6	29	37	M10	ZKFC205	ZK205	ZKFC205C	ZKFC205D	34.5	1 11/32	0.99	ZKFC205FC	ZKFC205FD	43	1 21/32	1.2					
20 3/4	4 3/8	2.9921	3 3/8	2 9/16	3/8	15/16	25/64	15/64	1 13/64	1 15/32	5/16	ZKFCX05-12	FCX05	ZKX05-12	-	-	-	-	-	-	-	-						
	111	76	92	65	9.5	24	10	6	30.5	37	M8	ZKFCX05	ZKX05	ZKFCX05C	ZKFCX05D	36.5	1 7/16	1.2	-	-	-	-						
25 7/8	4 29/32	3.1496	3 15/16	2 25/32	15/32	29/32	25/64	5/16	1 13/64	1 9/16	3/8	ZKFC206-14	FC206	ZK206-14	-	-	-	-	-	-	-	-						
	125	80	100	70.7	12	23	10	8	30.5	40	M10	ZKFC206-15	ZK206-15	ZKFC206C	ZKFC206D	36.5	1 7/16	1.3	ZKFC206FC	ZKFC206FD	45	1 25/32	1.6					
25 15/16	5	3.3465	4 9/64	2 59/64	15/32	7/8	5/16	3/8	1 3/16	1 9/16	3/8	ZKFCX06-14	FCX06	ZKX06-14	-	-	-	-	-	-	-	-						
	127	85	105	74.2	12	22.5	8	9.5	30	40	M10	ZKFCX06-15	ZKX06-15	ZKFCX06C	ZKFCX06D	38	1 1/2	1.5	-	-	-	-						
30 1 1/8	5 5/16	3.5433	4 21/64	3 1/16	35/64	1 1/32	7/16	5/16	1 5/16	1 47/64	7/16	ZKFC207-18	FC207	ZK207-18	-	-	-	-	-	-	-	-						
	135	90	110	77.8	14	26	11	8	33	44	M12	ZKFC207	ZK207	ZKFC207C	ZKFC207D	41	1 5/8	1.7	ZKFC207FC	ZKFC207FD	50	1 31/32	2.1					
30 1 1/8	5 1/4	3.6220	4 3/8	3 3/32	15/32	1 1/32	23/64	7/16	1 5/16	1 47/64	3/8	ZKFCX07-18	FCX07	ZKX07-18	-	-	-	-	-	-	-	-						
	133	92	111	78.5	12	26	9	11	33	44	M10	ZKFCX07	ZKX07	ZKFCX07C	ZKFCX07D	43.5	1 23/32	1.9	-	-	-	-						
35 1 1/4	5 23/32	3.9370	4 23/32	3 11/32	35/64	1 1/32	7/16	25/64	1 13/32	1 55/64	7/16	ZKFC208-20	FC208	ZK208-20	-	-	-	-	-	-	-	-						
	145	100	120	84.8	14	26	11	10	36	47	M12	ZKFC208-22	ZK208-22	ZKFC208C	ZKFC208D	45.5	1 25/32	2.0	ZKFC208FC	ZKFC208FD	54	2 1/8	2.4					
35 1 3/8	5 1/4	3.6220	4 3/8	3 3/32	15/32	1 1/32	23/64	7/16	1 3/8	1 55/64	3/8	ZKFCX08-20	FCX08	ZKX08-20	-	-	-	-	-	-	-	-						
	133	92	111	78.5	12	26	9	11	35	47	M10	ZKFCX08-22	ZKX08-22	ZKFCX08C	ZKFCX08D	43.5	1 23/32	1.9	-	-	-	-						
40 1 7/16	6 5/16	4.1339	5 13/64	3 43/64	5/8	1 1/32	25/64	15/32	1 13/32	1 15/16	1/2	ZKFC209-23	FC209	ZK209-23	-	-	-	-	-	-	-	-						
	160	105	132	93.3	16	26	10	12	36	49	M14	ZKFC209-24	ZK209-24	ZKFC209C	ZKFC209D	44.5	1 3/4	2.7	ZKFC209FC	ZKFC209FD	54	2 1/8	3.2					
40 1 1/2	6 3/32	4.2520	5 1/8	3 5/8	35/64	31/32	5/16	15/32	1 11/32	1 15/16	7/16	ZKFCX09-23	FCX09	ZKX09-23	-	-	-	-	-	-	-	-						
	155	108	130	91.9	14	25	8	12	34	49	M12	ZKFCX09-24	ZKX09-24	ZKFCX09C	ZKFCX09D	45	1 25/32	2.6	-	-	-	-						
45 1 5/8	6 1/2	4.3307	5 7/16	3 27/32	5/8	1 3/32	25/64	15/32	1 17/32	2 1/8	1/2	ZKFC210-26	FC210	ZK210-26	-	-	-	-	-	-	-	-						
	165	110	138	97.6	16	28	10	12	39	54	M14	ZKFC210-27	ZK210-27	ZKFC210C	ZKFC210D	47	1 27/32	3.0	ZKFC210FC	ZKFC210FD	58.5	2 5/16	3.5					
45 1 11/16	6 3/8	4.6457	5 23/64	3 25/32	35/64	31/32	9/32	5/8	1 1/2	2 1/8	7/16	ZKFCX10-26	FCX10	ZKX10-26	-	-	-	-	-	-	-	-						
	162	118	136	96.2	14	25	7	16	38	54	M12	ZKFCX10-27	ZKX10-27	ZKFCX10C	ZKFCX10D	45	1 25/32	3.1	-	-	-	-						
50 1 7/8	7 9/32	4.9213	5 29/32	4 11/64	3/4	1 7/32	33/64	15/32	1 23/32	2 13/32	5/8	ZKFC211-30	FC211	ZK211-30	-	-	-	-	-	-	-	-						
	185	125	150	106.1	19	31	13	12	44	61	M16	ZKFC211-31	ZK211-31	ZKFC211C	ZKFC211D	51	2	4.3	ZKFC211FC	ZKFC211FD	62.5	2 15/32	4.9					
50 1 15/16	7 3/32	5	5 63/64	4 15/64	5/8	1 1/32	5/32	55/64	1 33/64	2 13/32	1/2	ZKFCX11-30	FCX11	ZKX11-30	-	-	-	-	-	-	-	-						
	180	127	152	107.5	16	26	4	22	38.5	61	M14	ZKFCX11-31	ZKX11-31	ZKFCX11C	ZKFCX11D	48.5	1 29/32	4.0	-	-	-	-						
55 2 1/8	7 11/16	5.3150	6 19/64	4 29/64	3/4	1 13/32	43/64	15/32	2 9/64	2 39/64	5/8	ZKFC212-34	FC212	ZK212-34	-	-	-	-	-	-	-	-						
	195	135	160	113.1	19	36	17	12	54.5	66	M16	ZKFC212	ZK212	ZKFC212C	ZKFC212D	61.5	2 13/32	4.9	ZKFC212FC	ZKFC212FD	74	2 29/32	5.7					
55 2 1/8	7 5/8	5.5118	6 1/2	4 19/32	5/8	1 5/16	7/16	25/32	1 29/32	2 39/64	1/2	ZKFCX12-34	FCX12	ZKX12-34	-	-	-	-	-	-	-	-						
	194	140	165	116.7	16	33	11	20	48.5	66	M14	ZKFCX12	ZKX12	ZKFCX12C	ZKFCX12D	55.5	2 3/16	5.1	-	-	-	-						

- Remarks 1. In Part No. of unit and units with covers, fitting codes follow bore diameter numbers.
- 2. Part No. of applicable grease fittings are shown below.
A-1/4-28UNF.....205~210, X05~X09
A-R1/8.....211~212, X10~X12
- 3. In Part No. of bearing with adapters, turn UK in the Part No. shown in the dimensional tables to ZK.
(Example of Part No. : ZK206)
- 4. As for the triple seal type product (205 is the double seal type product), suffix code L3 (or L2) follows the Part No. of unit or bearing.
(Example of Part No. : ZKFC206JL3)
- 5. For the dimensions and forms of applicable bearings and adapters, see the dimensional tables of ball bearing for unit and adapter.
- 6. Housings of nodular graphite cast iron are also available.

Take-Up Units

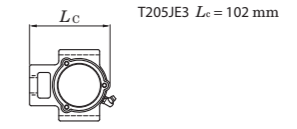
ZKT
Tapered bore (with adapter)
d₁ 20 ~ 40 mm



Variations of tolerance of groove width (ΔA_{1s}), variations of tolerance of distance between both grooves (ΔH_{1s}), and tolerance of symmetry of both groove sides (X)

Housing No.			ΔA_{1s}	ΔH_{1s}	X
T205~T210	TX05~TX10	T305~T310	+0.2 0	0 -0.5	0.5
T211~T212	TX11~TX12	T311~T312	+0.2 0	0 -0.8	0.6

Forms and dimensions of L_c of T205JE3 (housing with cast iron cover) are shown below.



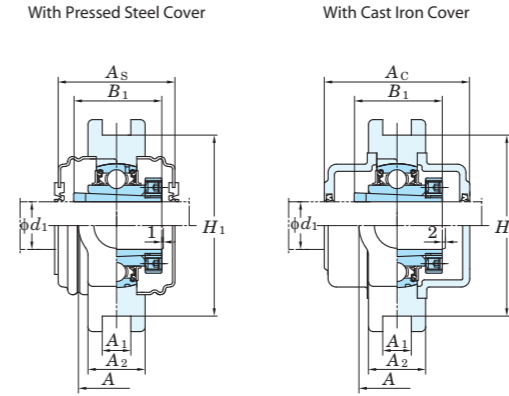
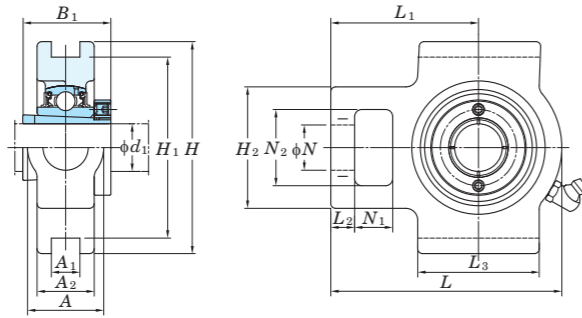
Shaft Dia. mm inch d ₁	Dimensions inch mm															Unit No.	Standard Housing No.	Bearing No.	Mass kg	Basic Load Ratings kN			Factor f ₀	With Pressed Steel Cover				With Cast Iron Cover			
	A	A ₁	A ₂	H	H ₁	H ₂	L	L ₁	L ₂	L ₃	N	N ₁	N ₂	B ₁	Unit No.					Dimension mm inch	Mass kg	Unit No.		Dimension mm inch	Mass kg						
20 3/4	1 1/4	15/32	15/16	3 1/2	2 3/4	2	3 13/16	2 7/16	13/32	2	3/4	5/8	1 1/4	1 15/32	ZKT205-12 ZKT205	T205	ZK205-12 ZK205	0.88	14.0	7.85	13.9	-	-	-	-	-	-	-	-		
	32	12	24	89	76	51	97	62	10	51	19	16	32	37	ZKTX05-12 ZKTX05	TX05	ZKX05-12 ZKX05	1.3	19.5	11.3	13.9	-	-	-	-	-	-	-	-		
	37	12	28	102	89	56	113	70	10	57	22	16	37	37	ZKT305-12 ZKT305	T305	ZK305-12 ZK305	1.5	21.2	10.9	12.6	-	-	-	-	-	-	-	-		
25 7/8	1 13/32	15/32	1 1/32	3 1/2	3 5/32	2 7/16	4 13/16	3	15/32	2 9/16	1 1/32	5/8	1 13/32	1 15/32	ZKT206-14 ZKT206-15 ZKT206	T206	ZK206-14 ZK206-15 ZK206	1.3	19.5	11.3	13.9	-	-	-	-	-	-	-	-		
	37	12	28	102	89	56	113	70	10	57	22	16	37	40	ZKTX06-14 ZKTX06-15 ZKTX06	TX06	ZKX06-14 ZKX06-15 ZKX06	1.7	25.7	15.4	13.9	-	-	-	-	-	-	-	-		
	36	12	26	89	80	62	122	76	12	65	26	16	36	37	ZKT306-14 ZKT306-15 ZKT306	T306	ZK306-14 ZK306-15 ZK306	1.9	26.7	15.0	13.3	-	-	-	-	-	-	-	-		
30 1 1/8	1 15/32	15/32	1 3/32	4 1/32	3 1/2	2 7/32	4 7/16	2 3/4	13/32	2 1/4	7/8	5/8	1 15/32	1 9/16	ZKT207-18 ZKT207	T207	ZK207-18 ZK207	1.7	25.7	15.4	13.9	-	-	-	-	-	-	-	-		
	37	12	30	102	89	64	129	78	13	64	22	16	37	44	ZKTX07-18 ZKTX07	TX07	ZKX07-18 ZKX07	2.6	29.1	17.8	14.0	-	-	-	-	-	-	-	-		
	41	16	28	100	90	70	137	85	14	74	28	18	41	40	ZKT307-18 ZKT307	T307	ZK307-18 ZK307	2.4	33.4	19.3	13.2	-	-	-	-	-	-	-	-		
35 1 1/4	1 15/32	15/32	1 3/16	4 1/32	3 1/2	2 17/32	5 3/32	3 1/16	1/2	2 17/32	7/8	5/8	1 15/32	1 47/64	ZKT208-20 ZKT208-22 ZKT208	T208	ZK208-20 ZK208-22 ZK208	2.5	29.1	17.8	14.0	-	-	-	-	-	-	-	-		
	49	16	33	114	102	83	144	88	16	83	29	19	49	47	ZKTX08-20 ZKTX08-22 ZKTX08	TX08	ZKX08-20 ZKX08-22 ZKX08	2.6	34.1	21.3	14.0	-	-	-	-	-	-	-	-		
	49	16	36	117	102	83	144	87	15	83	29	19	49	47	ZKT308-20 ZKT308-22 ZKT308	T308	ZK308-20 ZK308-22 ZK308	3.0	40.7	24.0	13.2	-	-	-	-	-	-	-	-		
40 1 7/16	1 15/16	5/8	1 3/8	4 19/32	4 1/64	3 9/32	5 21/32	3 7/16	5/8	3 9/32	1 5/32	3/4	1 15/16	1 15/16	ZKT209-23 ZKT209-24 ZKT209	T209	ZK209-23 ZK209-24 ZK209	2.5	34.1	21.3	14.0	-	-	-	-	-	-	-	-		
	49	16	35	117	102	83	144	87	16	83	29	19	49	49	ZKTX09-23 ZKTX09-24 ZKTX09	TX09	ZKX09-23 ZKX09-24 ZKX09	2.9	35.1	23.3	14.4	-	-	-	-	-	-	-	-		
	55	18	38	138	125	90	178	110	18	97	34	24	55	49	ZKT309-23 ZKT309-24 ZKT309	T309	ZK309-23 ZK309-24 ZK309	4.2	48.9	29.5	13.3	-	-	-	-	-	-	-	-		

- Remarks 1. In Part No. of unit and units with covers, fitting codes follow bore diameter numbers.
 2. Part No. of applicable grease fittings are shown below.
 B-1/4-28UNF.....205~210, X05~X09, 305~308
 B-R1/8.....211~212, X10~X12, 309~312
 3. In Part No. of bearing with adapters, turn UK in the Part No. shown in the dimensional tables to ZK.
 (Example of Part No.: ZK206)

4. As for the triple seal type product (205 is the double seal type product), suffix code L3 (or L2) follows the Part No. of unit or bearing.
 (Example of Part No.: ZKT206JL3)
 5. For the dimensions and forms of applicable bearings and adapters, see the dimensional tables of ball bearing for unit and adapter.
 6. Housings of nodular graphite cast iron are also available.

Take-Up Units

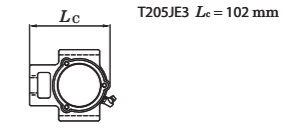
ZKT
Tapered bore (with adapter)
d₁ 45 ~ 55 mm



Variations of tolerance of groove width (ΔA_{1s}), variations of tolerance of distance between both grooves (ΔH_{1s}), and tolerance of symmetry of both groove sides (X)

Housing No.			ΔA_{1s}	ΔH_{1s}	X
T205~T210	TX05~TX10	T305~T310	+0.2 0	0 -0.5	0.5
T211~T212	TX11~TX12	T311~T312	+0.2 0	0 -0.8	0.6

Forms and dimensions of Lc of T205JE3 (housing with cast iron cover) are shown below.



Shaft Dia. mm inch	Dimensions inch mm														Unit No.	Standard Housing No.	Bearing No.	Mass kg	Basic Load Ratings kN C _r C _{0r}	Factor f ₀	With Pressed Steel Cover			With Cast Iron Cover						
	A	A ₁	A ₂	H	H ₁	H ₂	L	L ₁	L ₂	L ₃	N	N ₁	N ₂	B ₁							Unit No.	Dimension mm inch	Mass kg	Unit No.	Dimension mm inch	Mass kg				
45 1 5/8 1 11/16 1 3/4	1 5/8	1 15/16	5/8	1 15/32	4 19/32	4 1/4	3 9/32	5 7/8	3 17/32	5/8	3 3/8	1 5/32	3/4	1 15/16	2 1/8	ZKT210-26 ZKT210-27 ZKT210-28 ZKT210	T210	ZK210-26 ZK210-27 ZK210-28 ZK210	2.7	35.1 23.3	14.4	-	-	-	-	-	-	-	-	-
	1 11/16	2 17/32	55/64	1 21/32	5 3/4	5 1/8	4 1/32	6 23/32	4 3/16	3/4	3 3/4	1 3/8	31/32	2 17/32	2 1/8	ZKTX10-26 ZKTX10-27 ZKTX10-28 ZKTX10	TX10	ZKX10-26 ZKX10-27 ZKX10-28 ZKX10	4.4	43.4 29.4	14.4	-	-	-	-	-	-	-	-	-
	1 3/4	64	22	42	146	130	102	171	106	19	95	35	25	64	54	ZKT210C ZKT210CD		74.0 2 29/32	2.7	ZKT210FC ZKT210FCD	97.0 3 13/16	3.8								
	1 5/8	2 13/32	25/32	1 9/16	5 15/16	5 33/64	3 27/32	7 17/32	4 19/32	25/32	4 3/16	1 15/32	1 1/16	2 13/32	2 1/8	ZKT310-26 ZKT310-27 ZKT310-28 ZKT310	T310	ZK310-26 ZK310-27 ZK310-28 ZK310	5.0	62.0 38.3	13.2	-	-	-	-	-	-	-	-	-
	1 11/16	2 17/32	55/64	1 1/2	5 3/4	5 1/8	4 1/32	6 23/32	4 3/16	3/4	3 3/4	1 3/8	31/32	2 17/32	2 13/32	ZKT211-30 ZKT211-31 ZKT211	T211	ZK211-30 ZK211-31 ZK211	4.1	43.4 29.4	14.4	-	-	-	-	-	-	-	-	-
	2	64	22	38	146	130	102	171	106	19	95	35	25	64	61	ZKT211C ZKT211CD		76.0 3	4.1	ZKT211FC ZKT211FCD	99.0 3 29/32	5.4								
	1 7/8	2 17/32	55/64	1 23/32	5 3/4	5 1/8	4 1/32	7 5/8	4 11/16	3/4	4 1/32	1 3/8	1 1/4	2 17/32	2 13/32	ZKTX11-30 ZKTX11-31 ZKTX11	TX11	ZKX11-30 ZKX11-31 ZKX11	5.1	52.4 36.2	14.4	-	-	-	-	-	-	-	-	-
	1 15/16	2 19/32	55/64	1 23/32	6 13/32	5 29/32	4 1/8	8 5/32	5	13/16	4 17/32	1 17/32	1 5/32	2 19/32	2 13/32	ZKT311-30 ZKT311-31 ZKT311	T311	ZK311-30 ZK311-31 ZK311	6.4	71.6 45.0	13.2	-	-	-	-	-	-	-	-	-
	2	66	22	44	163	150	105	207	127	21	115	39	29	66	61	ZKT311C ZKT311CD		-	-	-	ZKT311C ZKT311CD	114.0 4 1/2	8.3							
55 2 1/8 2 3/4 2 1/8	2 17/32	55/64	1 21/32	5 3/4	5 1/8	4 1/32	7 5/8	4 11/16	3/4	4 1/32	1 3/8	1 1/4	2 17/32	2 39/64	ZKT212-34 ZKT212	T212	ZK212-34 ZK212	4.8	52.4 36.2	14.4	-	-	-	-	-	-	-	-	-	
	2 3/4	1 1/32	1 7/8	6 9/16	5 15/16	4 3/8	8 13/16	5 13/32	13/16	4 3/4	1 5/8	1 1/4	2 3/4	2 39/64	ZKTX12-34 ZKTX12	TX12	ZKX12-34 ZKX12	7.3	57.2 40.1	14.4	-	-	-	-	-	-	-	-	-	
	2 25/32	55/64	1 13/16	7	6 19/64	4 7/16	8 21/32	5 5/16	29/32	4 27/32	1 5/8	1 7/32	2 25/32	2 39/64	ZKT312-34 ZKT312	T312	ZK312-34 ZK312	7.5	81.9 52.2	13.2	-	-	-	-	-	-	-	-	-	
71	22	46	178	160	113	220	135	23	123	41	31	71	66	ZKT312C ZKT312CD		89 3 1/2	4.8	ZKT312FC ZKT312FCD	114 4 1/2	6.3										
70	26	48	167	151	111	224	137	21	121	41	32	70	66	ZKT312C ZKT312CD		89 3 1/2	7.3	-	-	-	-	-								
124	4 1/2	9.9																												

- Remarks
- In Part No. of unit and units with covers, fitting codes follow bore diameter numbers.
 - Part No. of applicable grease fittings are shown below.
B-1/4-28UNF.....205~210, X05~X09, 305~308
B-R1/8.....211~212, X10~X12, 309~312
 - In Part No. of bearing with adapters, turn UK in the Part No. shown in the dimensional tables to ZK.
(Example of Part No. : ZK206)

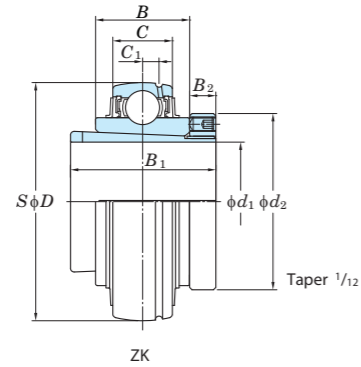
- As for the triple seal type product (205 is the double seal type product), suffix code L3 (or L2) follows the Part No. of unit or bearing.
(Example of Part No. : ZKT206JL3)
- For the dimensions and forms of applicable bearings and adapters, see the dimensional tables of ball bearing for unit and adapter.
- Housings of nodular graphite cast iron are also available.

Ball Bearing Inserts

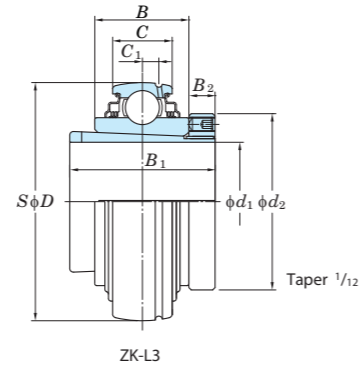
ZK
Tapered bore (with adapter)
d₁ 20 ~ 40 mm



ZK



ZK



ZK-L3

Shaft Dia. mm inch	Dimensions inch mm									Basic Load Ratings kN		Factor f ₀	Bearing No.		Mass kg		Adapter No.
	d ₁	d	D	B	B ₁	B ₂	d ₂	C	C ₁	C _r	C _{0r}		Standard	L3 Type	Standard	L3 Type	
20 3/4	0.984 25	2.047 52	0.945 24	1.457 37	0.276 7	1.575 40	0.669 17	0.197 5	14.0	7.85	13.9	ZK205-12 ZK205	ZK205-12L2 ZK205L2	0.270	0.290	ZKE05 ZK05	
	0.984 25	2.441 62	1.063 27	1.457 37	0.276 7	1.575 40	0.748 19	0.197 5	19.5	11.3	13.9	ZKX05-12 ZKX05	-	0.380	-	ZKE05 ZK05	
	0.984 25	2.441 62	1.063 27	1.457 37	0.276 7	1.575 40	0.866 22	0.236 6	21.2	10.9	12.6	ZK305-12 ZK305	-	0.510	-	ZKE05 ZK05	
25 7/8 15/16	1.181 30	2.441 62	1.063 27	1.575 40	0.276 7	1.772 45	0.748 19	0.197 5	19.5	11.3	13.9	ZK206-14 ZK206-15 ZK206 ZK206-16	ZK206-14L3 ZK206-15L3 ZK206L3 ZK206-16L3	0.38	0.42	ZKS06 ZKA06 ZK06 ZKE06	
	1.181 30	2.835 72	1.181 30	1.575 40	0.276 7	1.772 45	0.787 20	0.217 5.5	25.7	15.4	13.9	ZKX06-14 ZKX06-15 ZKX06 ZKX06-16	-	0.56	-	ZKS06 ZKA06 ZK06 ZKE06	
	1.181 30	2.835 72	1.181 30	1.575 40	0.276 7	1.772 45	0.945 24	0.256 6.5	26.7	15.0	13.3	ZK306-14 ZK306-15 ZK306 ZK306-16	-	0.60	-	ZKS06 ZKA06 ZK06 ZKE06	
30 1 1/8 1 3/16	1.378 35	2.835 72	1.181 30	1.732 44	0.276 7	1.969 50	0.787 20	0.217 5.5	25.7	15.4	13.9	ZK207-18 ZK207 ZK207-19	ZK207-18L3 ZK207L3 ZK207-19L3	0.54	0.60	ZKS07 ZK07 ZKA07	
	1.378 35	3.150 80	1.339 34	1.732 44	0.276 7	1.969 50	0.827 21	0.236 6	29.1	17.8	14.0	ZKX07-18 ZKX07 ZKX07-19	-	0.70	-	ZKS07 ZK07 ZKA07	
	1.378 35	3.150 80	1.299 33	1.732 44	0.276 7	1.969 50	1.024 26	0.295 7.5	33.4	19.3	13.2	ZK307-18 ZK307 ZK307-19	ZK307-18L3 ZK307L3 ZK307-19L3	0.77	0.77	ZKS07 ZK07 ZKA07	
35 1 1/4 1 3/8	1.575 40	3.150 80	1.339 34	1.850 47	0.315 8	2.244 57	0.827 21	0.236 6	29.1	17.8	14.0	ZK208-20 ZK208-22 ZK208	ZK208-20L3 ZK208-22L3 ZK208L3	0.69	0.80	ZKE08 ZKS08 ZK08	
	1.575 40	3.346 85	1.417 36	1.850 47	0.315 8	2.244 57	0.866 22	0.236 6	34.1	21.3	14.0	ZKX08-20 ZKX08-22 ZKX08	-	0.80	-	ZKE08 ZKS08 ZK08	
	1.575 40	3.543 90	1.378 35	1.850 47	0.315 8	2.244 57	1.102 28	0.315 8	40.7	24.0	13.2	ZK308-20 ZK308-22 ZK308	ZK308-20L3 ZK308-22L3 ZK308L3	1.02	1.02	ZKE08 ZKS08 ZK08	
40 1 7/16 1 1/2	1.772 45	3.346 85	1.417 36	1.929 49	0.315 8	2.441 62	0.866 22	0.236 6	34.1	21.3	14.0	ZK209-23 ZK209-24 ZK209	ZK209-23L3 ZK209-24L3 ZK209L3	0.77	0.90	ZKA09 ZKE09 ZK09	
	1.772 45	3.543 90	1.417 36	1.929 49	0.315 8	2.441 62	0.945 24	0.236 6	35.1	23.3	14.4	ZKX09-23 ZKX09-24 ZKX09	-	0.92	-	ZKA09 ZKE09 ZK09	
	1.772 45	3.937 100	1.496 38	1.929 49	0.315 8	2.441 62	1.181 30	0.335 8.5	48.9	29.5	13.3	ZK309-23 ZK309-24 ZK309	ZK309-23L3 ZK309-24L3 ZK309L3	1.33	1.33	ZKA09 ZKE09 ZK09	

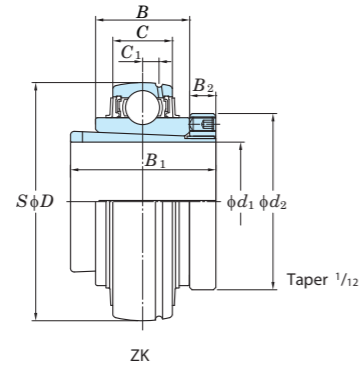
Remarks 1. In Part No. of bearing with adapters, turn UK in the Part No. shown in the dimensional tables to ZK
(Example of Part No. : ZK206=UK206+ZK06)
2. UK205 is the double seal type product (L2).
3. Inch bore diameter series adapters are also available (see the dimensional tables of adapters).

Ball Bearing Inserts

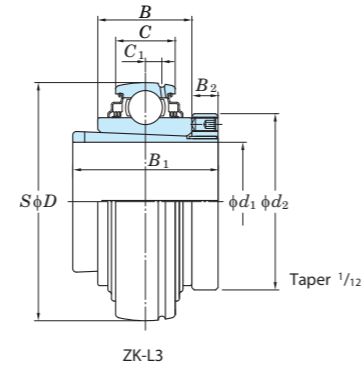
ZK
Tapered bore (with adapter)
d₁ 45 ~ 55 mm



ZK



ZK



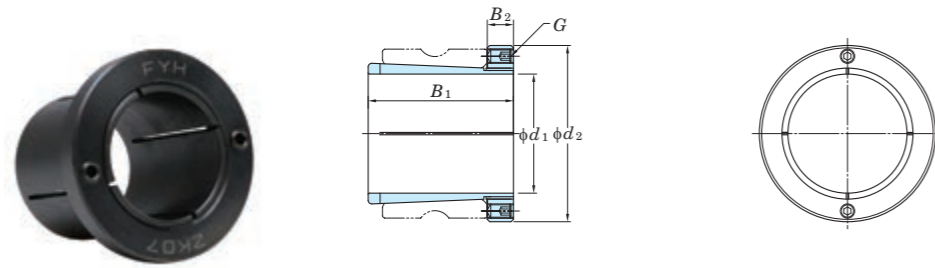
ZK-L3

Shaft Dia. mm inch	Dimensions inch mm									Basic Load Ratings kN		Factor f ₀	Bearing				Adapter No.
	d ₁	d	D	B	B ₁	B ₂	d ₂	C	C ₁	C _r	C _{0r}		No.		Mass kg		
													Standard	L3 Type	Standard	L3 Type	
45 1 5/8 1 11/16 1 3/4	1 5/8 1 11/16 1 3/4	1.969	3.543	1.417	2.126	0.433	2.638	0.945	0.236	35.1	23.3	14.4	ZK210-26	ZK210-26L3	0.92	0.98	ZKS10 ZKA10 ZKE10 ZK10
		ZK210-27	ZK210-27L3														
		ZK210-28	ZK210-28L3														
	1 5/8 1 11/16 1 3/4	1.969	3.937	1.575	2.126	0.433	2.638	0.984	0.276	43.4	29.4	14.4	ZK210	ZK210L3	1.22	-	ZKS10 ZKA10 ZKE10 ZK10
		ZKX10-26	-														
		ZKX10-27	-														
	1 5/8 1 11/16 1 3/4	1.969	4.331	1.575	2.126	0.433	2.638	1.260	0.354	62.0	38.3	13.2	ZKX10-28	-	1.71	1.71	ZKS10 ZKA10 ZKE10 ZK10
		ZK310	ZK310L3														
		ZK310-26	ZK310-26L3														
50 1 7/8 1 15/16 2	1 7/8 1 15/16 2	2.165	3.937	1.575	2.402	0.433	2.913	0.984	0.276	43.4	29.4	14.4	ZK310-27	ZK310-27L3	1.22	1.51	ZKS11 ZKA11 ZK11 ZKE11
		ZK310-28	ZK310-28L3														
		ZK310	ZK310L3														
	1 7/8 1 15/16 2	2.165	4.331	1.850	2.402	0.433	2.913	1.063	0.295	52.4	36.2	14.4	ZK211	ZK211L3	1.57	-	ZKS11 ZKA11 ZK11 ZKE11
		ZK211-30	ZK211-30L3														
		ZK211-31	ZK211-31L3														
	1 7/8 1 15/16 2	2.165	4.724	1.693	2.402	0.433	2.913	1.339	0.394	71.6	45.0	13.2	ZK211-32	ZK211-32L3	2.20	2.20	ZKS11 ZKA11 ZK11 ZKE11
		ZK311	ZK311L3														
		ZK311-30	ZK311-30L3														
55 2 1/8	2 1/8	2.362	4.331	1.850	2.598	0.551	3.346	1.063	0.295	52.4	36.2	14.4	ZK311-31	ZK311-31L3	1.630	2.020	ZKS12 ZK12
		ZK311-32	ZK311-32L3														
		ZK212	ZK212L3														
	2 1/8	2.362	4.724	1.850	2.598	0.551	3.346	1.102	0.295	57.2	40.1	14.4	ZKX12-34	-	2.060	-	ZKS12 ZK12
		ZKX12	-														
		ZK312-34	ZK312-34L3														
2 1/8	2.362	5.118	1.850	2.598	0.551	3.346	1.417	0.453	81.9	52.2	13.2	ZK312	ZK312L3	2.670	2.670	ZKS12 ZK12	
	ZK312	ZK312L3															

Remarks 1. In Part No. of bearing with adapters, turn UK in the Part No. shown in the dimensional tables to ZK (Example of Part No. : ZK206=UK206+ZK06)
2. UK205 is the double seal type product (L2).
3. Inch bore diameter series adapters are also available (see the dimensional tables of adapters).

ZK

d_1 20 ~ 55 mm



mm	Shaft Dia. d_1				Dimensions			Adapter No.				Sleeve No.				Lock Nut No.	Set Screw G	Mass					
	(ZK)	(ZKE)	(ZKS)	(ZKA)	B_1	B_2	d_2	(ZK)	(ZKE)	(ZKS)	(ZKA)	(ZK)	(ZKE)	(ZKS)	(ZKA)			mm	(ZK)	(ZKE)	(ZKS)	(ZKA)	
20	-	-	-	-	1.457	0.276	1.575	ZK05	-	-	-	-	AZ05	-	-	-	AK05	M5x0.5x6	0.11	-	-	-	
	$\frac{3}{4}$	-	-	-	37	7	40	-	ZKE05	-	-	-	-	AZE05	-	-	AK05	M5x0.5x6	-	0.119	-	-	
25	-	-	-	-	1.575	0.276	1.772	ZK06	-	-	-	-	AZ06	-	-	-	AK06	M5x0.5x6	0.13	-	-	-	
	1	-	-	-	40	7	45	-	ZKE06	-	-	-	-	AZE06	-	-	AK06	M5x0.5x6	-	0.125	-	-	
	-	$\frac{7}{8}$	-	-	-	-	-	-	-	ZKS06	-	-	-	-	AZS06	-	-	AK06	M5x0.5x6	-	-	0.16	-
	-	-	$\frac{15}{16}$	-	-	-	-	-	-	-	-	ZKA06	-	-	-	AZA06	-	-	AK06	M5x0.5x6	-	-	-
30	-	-	-	-	1.732	0.276	1.969	ZK07	-	-	-	-	AZ07	-	-	-	AK07	M5x0.5x6	0.17	-	-	-	
	-	$1\frac{1}{8}$	-	-	44	7	50	-	-	-	ZKS07	-	-	-	AZS07	-	-	AK07	M5x0.5x6	-	-	0.20	-
	-	-	$1\frac{3}{16}$	-	-	-	-	-	-	-	-	ZKA07	-	-	-	AZA07	-	-	AK07	M5x0.5x6	-	-	-
35	-	-	-	-	1.850	0.315	2.244	ZK08	-	-	-	-	AZ08	-	-	-	AK08	M6x0.75x7	0.22	-	-	-	
	$1\frac{1}{4}$	-	-	-	47	8	57	-	ZKE08	-	-	-	-	AZE08	-	-	AK08	M6x0.75x7	-	0.29	-	-	
	-	$1\frac{3}{8}$	-	-	-	-	-	-	-	ZKS08	-	-	-	-	AZS08	-	-	AK08	M6x0.75x7	-	-	0.22	-
40	-	-	-	-	1.929	0.3158	2.441	ZK09	-	-	-	-	AZ09	-	-	-	AK09	M6x0.75x7	0.25	-	-	-	
	$1\frac{1}{2}$	-	-	-	49	8	62	-	ZKE09	-	-	-	-	AZE09	-	-	AK09	M6x0.75x7	-	0.30	-	-	
	-	-	$1\frac{7}{16}$	-	-	-	-	-	-	-	-	ZKA09	-	-	-	AZA09	-	-	AK09	M6x0.75x7	-	-	-
45	-	-	-	-	2.126	0.433	2.638	ZK10	-	-	-	-	AZ10	-	-	-	AK10	M6x0.75x10	0.33	-	-	-	
	$1\frac{3}{4}$	-	-	-	54	11	67	-	ZKE10	-	-	-	-	AZE10	-	-	AK10	M6x0.75x10	-	0.35	-	-	
	-	$1\frac{5}{8}$	-	-	-	-	-	-	-	ZKS10	-	-	-	-	AZS10	-	-	AK10	M6x0.75x10	-	-	0.43	-
	-	-	$1\frac{11}{16}$	-	-	-	-	-	-	-	-	ZKA10	-	-	-	AZA10	-	-	AK10	M6x0.75x10	-	-	-
50	-	-	-	-	2.402	0.433	2.913	ZK11	-	-	-	-	AZ11	-	-	-	AK11	M6x0.75x10	0.42	-	-	-	
	-	$1\frac{7}{8}$	-	-	61	11	74	-	ZKE11	-	-	-	-	AZE11	-	-	AK11	M6x0.75x10	-	0.40	-	-	
	-	-	$1\frac{15}{16}$	-	-	-	-	-	-	ZKS11	-	-	-	-	AZS11	-	-	AK11	M6x0.75x10	-	-	0.5	-
	-	-	-	-	66	14	85	-	-	-	-	ZKA11	-	-	-	AZA11	-	-	AK11	M6x0.75x10	-	-	-
55	-	-	-	-	2.598	0.551	3.346	ZK12	-	-	-	-	AZ12	-	-	-	AK12	M8x1x12	0.61	-	-	-	
	-	$2\frac{1}{8}$	-	-	66	14	85	-	-	ZKS12	-	-	-	-	AZS12	-	-	AK12	M8x1x12	-	-	0.66	-

FYH has reinvented the adaptor sleeve.



This is the ball bearing version of our patented revolutionary locking system, Z LOCK. The new series is called ZK and utilizes a tapered bore UK insert with our original Z LOCK sleeve instead of a traditional adaptor sleeve. The units are pre-assembled at the factory and are ready to use straight out of the box unlike traditional units that have separate inserts and adaptor sleeves. The installation of ZK units is extraordinary. ZK uses one key to tighten just two set screws by hand. ZK requires no torque charts and does not affect the inner clearance of the bearing at all.



Tighten the set screws by hand. Tightening the set screws creates extreme holding power over traditional adaptor sleeves without any change to the bearing clearance.



A traditional UK unit requires many tools to be assembled. You must tighten the lock nut using a torque wrench and following a torque tightening chart. Over tightening of the adaptor creates smaller clearance which can affect bearing life.

Z LOCK® SLEEVE



FYH

FYH INC.

2306 Hirao Miharaku Sakai Osaka 587-0022 JAPAN

TEL: 072-361-3750 FAX: 072-361-4173 E-mail: info@fyhbearings.com

FYH USA INC.

13201 FYH Drive, Huntley Illinois 60142 USA

TEL: 847-487-9111 FAX: 847-487-9222 E-mail: sales@fyhusa.com



FYH

castalia suministros
industriales